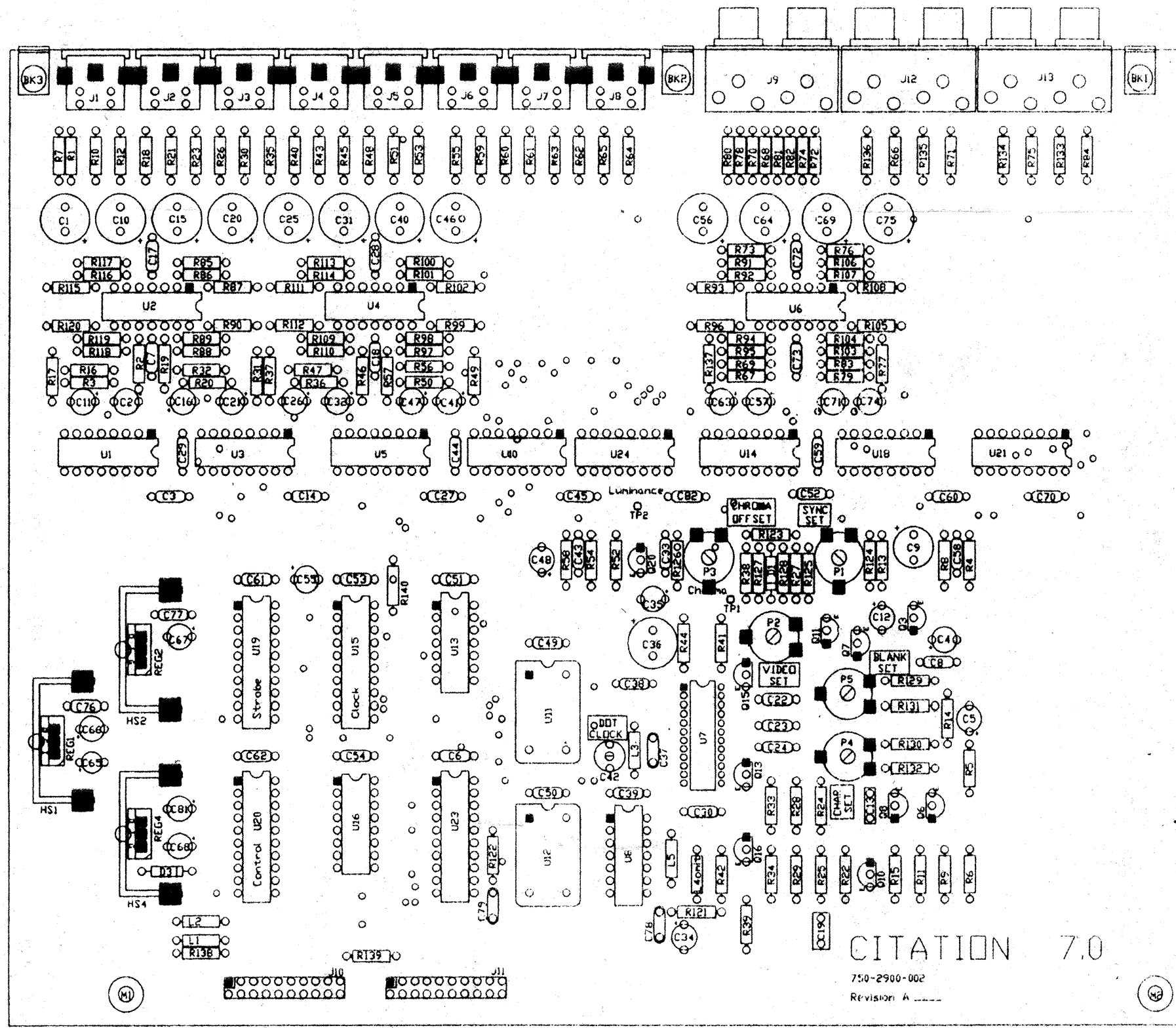
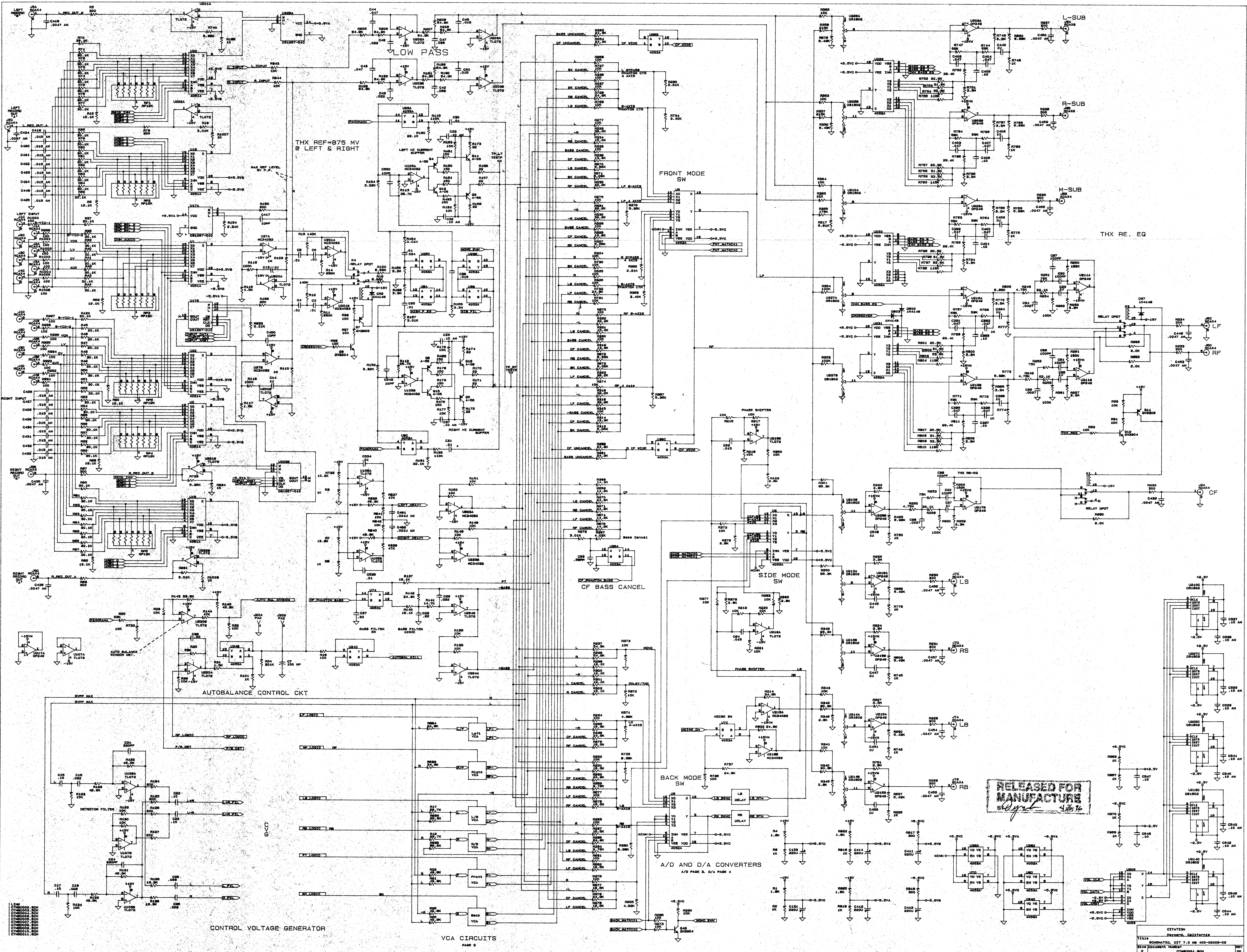


REVISIONS			
REV	DESCRIPTION OF CHANGE OR PREVIOUS STATE	DRAWN	DATE
A2	ORIGINAL	DC	04/18/95



RELEASED FOR MANUFACTURE
[Signature] 9/18/95

SIGNATURE		DATE		CITATION 26046 EDEN LANDING ROAD, HAYWARD, CA 94545	
DRAWN D.J. CLARK		04/18/95			
DESIGN CHK <i>X. Miller</i>		9-19-95		CITATION 7.0 VIDEO PCB PART PLACEMENT	
PRDJ MGR D. Clark		9-19-95			
C70VBPA1.SKD				DWG NUMBER	REV A2
SHEET 1 OF 1					



LINK
C4000000
C4000000
C4000000
C4000000
C4000000
C4000000
C4000000
C4000000
C4000000
C4000000

CONTROL VOLTAGE GENERATOR

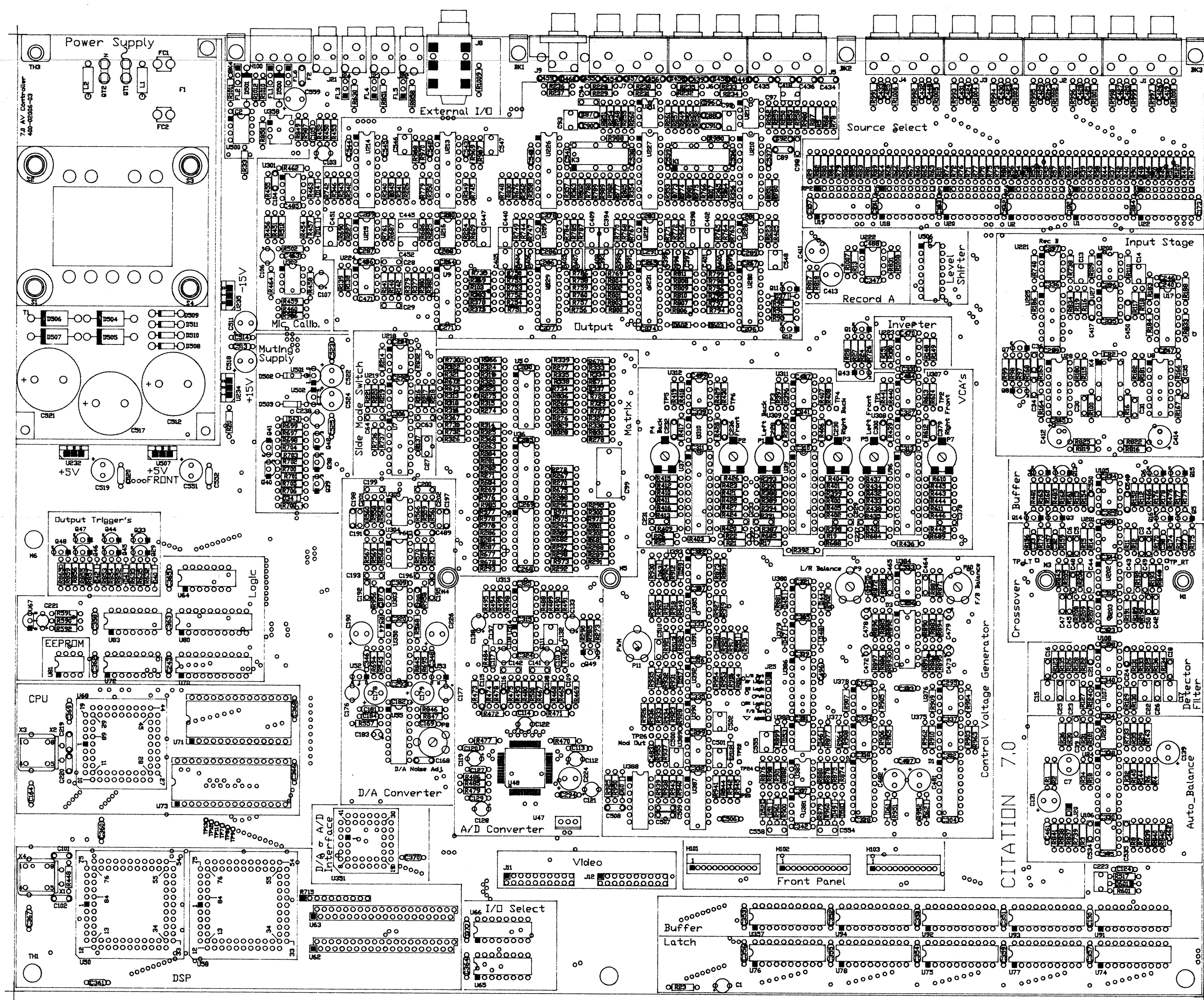
VCA CIRCUITS

A/D AND D/A CONVERTERS
A/D PAGE 3, D/A PAGE 4

RELEASED FOR
MANUFACTURE
4/26/76

CITATION
NAVYSEA COLLECTION
FILE NUMBER: 07 0 400-00000-03
SERIAL NUMBER: 0700001, 001
DATE: APR 18 1988

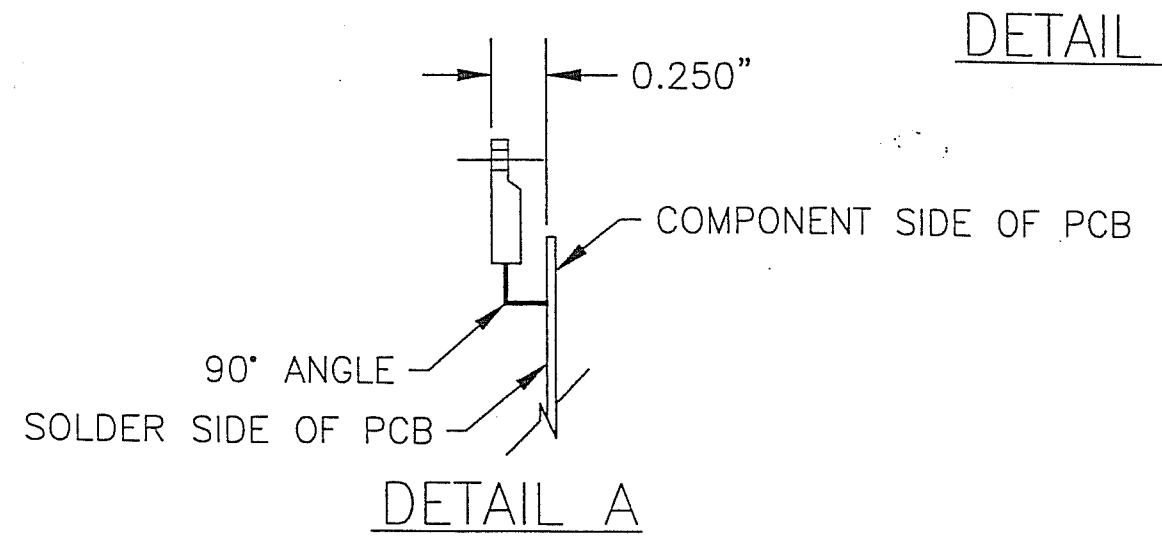
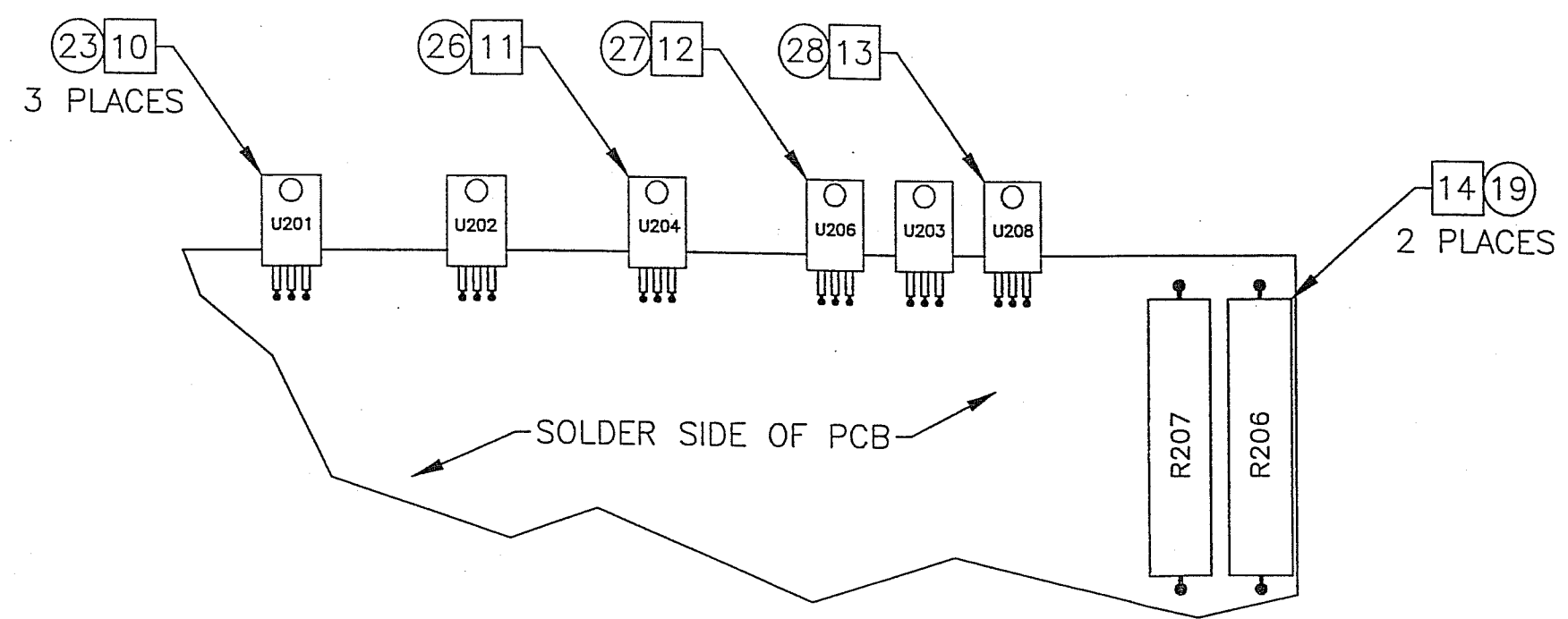
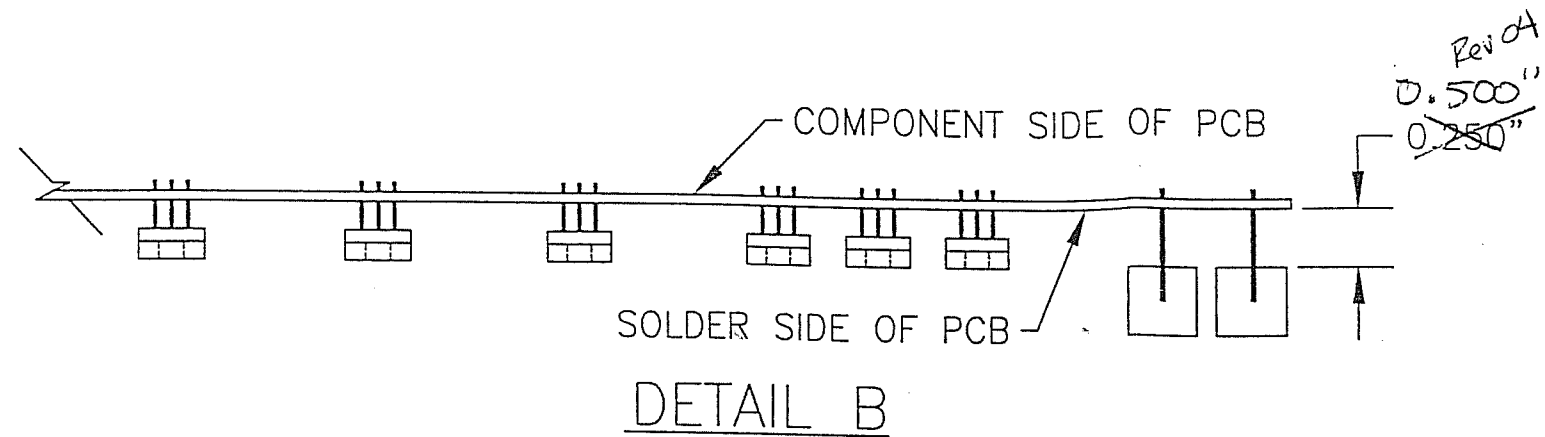
REVISIONS			
REV	DESCRIPTION OF CHANGE OR PREVIOUS STATE	DRAWN	DATE
C1	DIODE REVERSED	DJC	10/17/95
C2	SOFTWARE CHANGE	DJC	02/28/96
C3	CHANGE RESISTOR VALUE IN R670, AND R672	DJC	02/29/96
03	PCB CIRCUIT REVISION	DJC	04/09/96
04	PCB CIRCUIT REVISION <i>ECO 0191</i>	DJC	09/19/96



COPY

RELEASED FOR
MANUFACTURE
BY *JL*

SIGNATURE	DATE	CITATION <small>26048 EDEN LANDING ROAD, HAYWARD, CA 94545</small> PART PLACEMENT CIT 7.0 MAIN BD.
DRAWN D.J.CLARK	09/19/96	
DESIGN CHY		
PROJ MGR		
DWG NUMBER		REV
C70MBPD2.DWG		400-02006 04
SCALE: NOT TO SCALE		SHEET 1 OF 1



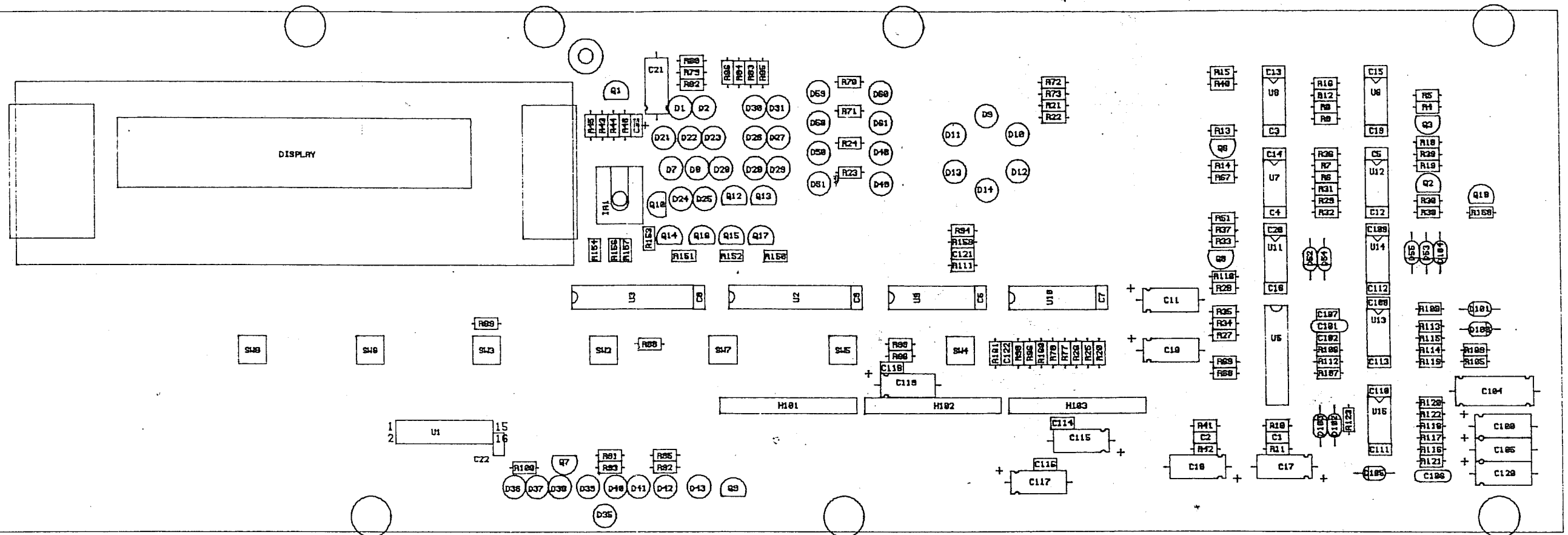
NOTES: (CONTINUED FROM SHEET 1)

POST WAVE:

9. AFTER WAVE SOLDER; ALL COMPONENTS ARE TO BE FLUSH, AND PERPENDICULAR TO PCB. (ie: RELAY, CONNECTORS, FUSE CLIPS, AND FAST-ON'S)
10. THREE, 7805 VOLTAGE REGULATORS, ARE TO BE BENT AT A 90° ANGLE. (SEE DETAIL A). INSTALL 7805 VOLTAGE REGULATORS IN U201, U202, U203, ON SOLDER SIDE OF PCB (SEE DETAIL C). BE SURE TO KEEP BACK SIDE OF REGULATORS, PARALLEL, AND A HEIGHT OF 0.250" FROM SOLDER SIDE OF PCB, AS SHOWN IN DETAIL A.
11. ONE, 7815 VOLTAGE REGULATOR, IS TO BE BENT AT A 90° ANGLE. (SEE DETAIL A). INSTALL 7815 VOLTAGE REGULATOR IN U204, ON SOLDER SIDE OF PCB (SEE DETAIL C). BE SURE TO KEEP BACK SIDE OF REGULATOR, PARALLEL, AND A HEIGHT OF 0.250" FROM THE SOLDER SIDE OF PCB, AS SHOWN IN DETAIL A.
12. ONE, 7915 VOLTAGE REGULATOR, IS TO BE BENT AT A 90° ANGLE. (SEE DETAIL A). INSTALL 7915 VOLTAGE REGULATOR IN U206, ON SOLDER SIDE OF PCB (SEE DETAIL C). BE SURE TO KEEP BACK SIDE OF REGULATOR, PARALLEL, AND A HEIGHT OF 0.250" FROM THE SOLDER SIDE OF PCB, AS SHOWN IN DETAIL A.
13. ONE, 7905 VOLTAGE REGULATOR, IS TO BE BENT AT A 90° ANGLE. (SEE DETAIL A). INSTALL 7905 VOLTAGE REGULATOR IN U208 ON SOLDER SIDE OF PCB (SEE DETAIL C). BE SURE TO KEEP BACK SIDE OF REGULATOR, PARALLEL, AND A HEIGHT OF 0.250" FROM THE SOLDER SIDE OF PCB, AS SHOWN IN DETAIL A.
14. INSTALL TWO, 33 OHM, 5%, WIREWOUND, 10W, RESISTORS IN R206, AND R207 ON SOLDER SIDE OF PCB. BE SURE TO KEEP BODY OF RESISTORS ~~0.250"~~ 0.500" OFF PCB. (SEE DETAILS B AND C)
15. THIS ASSEMBLY DRAWING TO BE USED IN COMPLIANCE WITH PART LIST 061-95000-02, AND BARE BOARD 401-95000-01 ONLY.

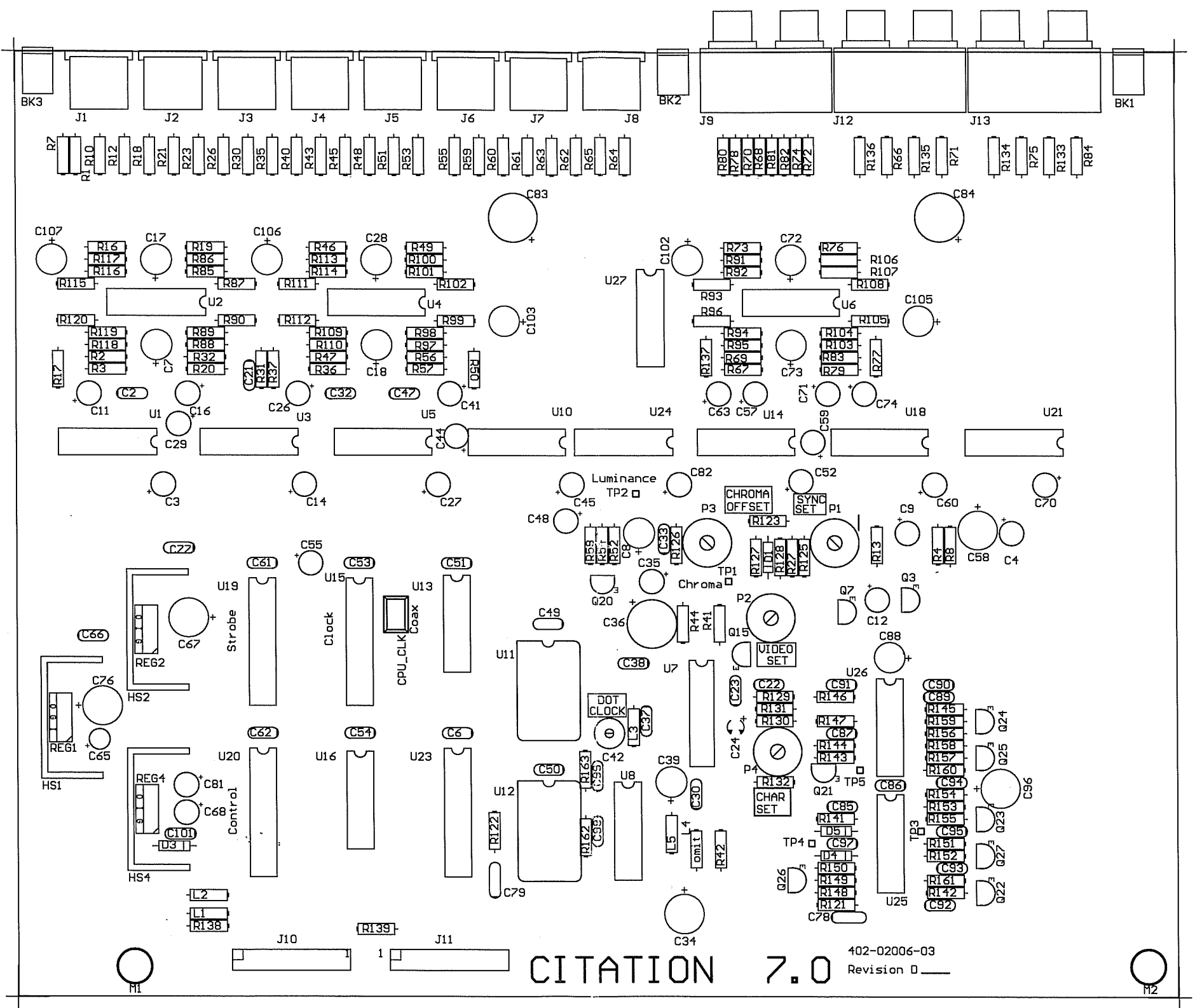
COPY

SIGNATURE		DATE	harman consumer group digital entertainment product center 1308 Borregas Ave., Sunnyvale, CA 94089-1001	
DRAWN	DJ CLARK	7/21/97	ASSY DRAWING, POWER SUPPLY BD.	
DESIGN CHK				
PROJ. MGR				
DWG. NUMBER			041-95000	REV. <i>04</i>
CSPWA203.DWG			SCALE: NOT TO SCALE	SHEET: 2 OF



RELEASED FOR
 MANUFACTURE
12/19/95

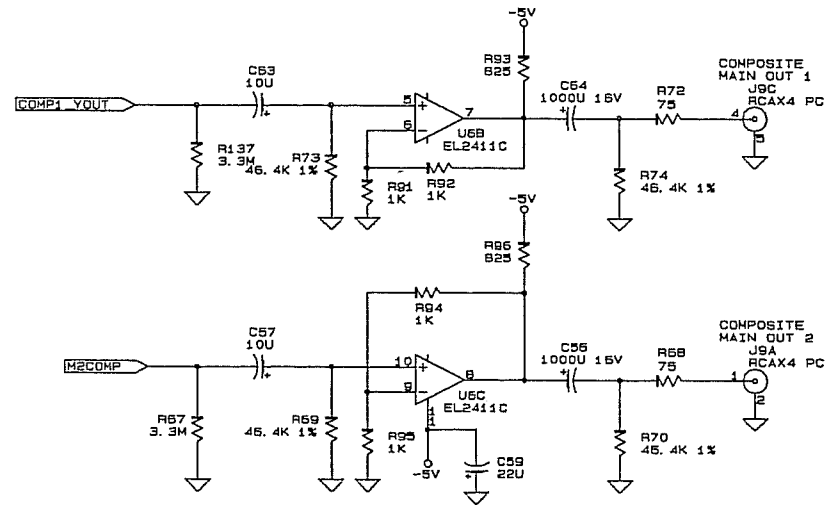
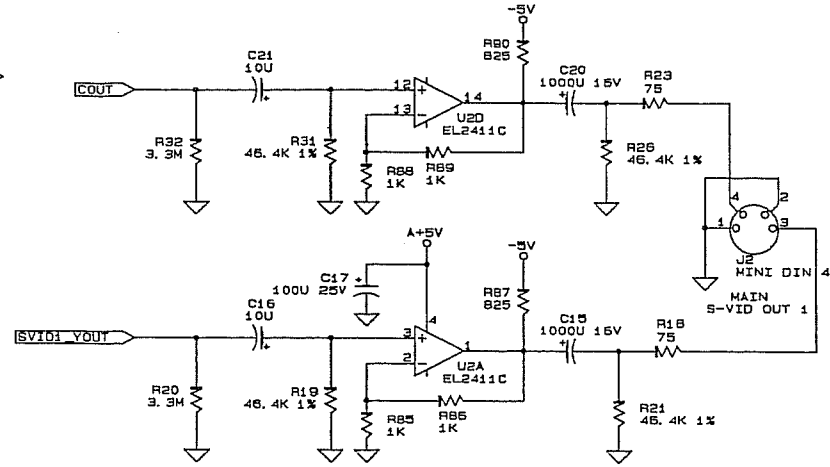
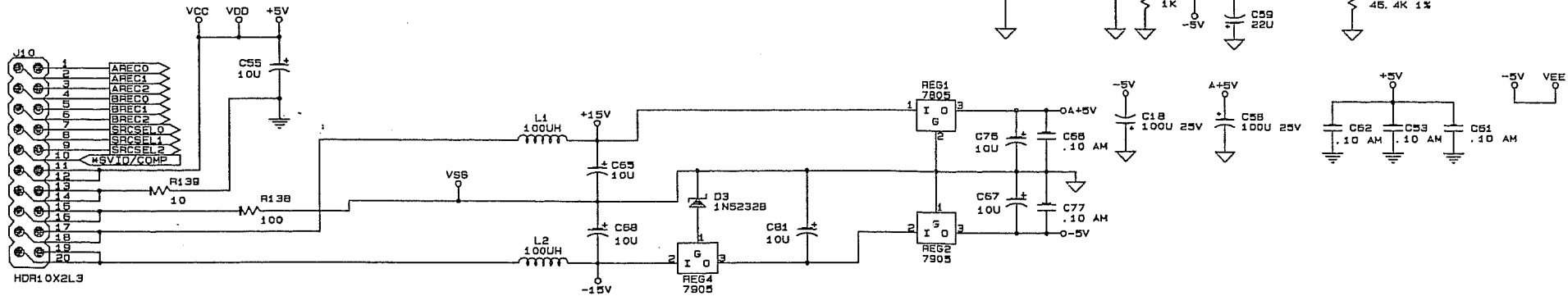
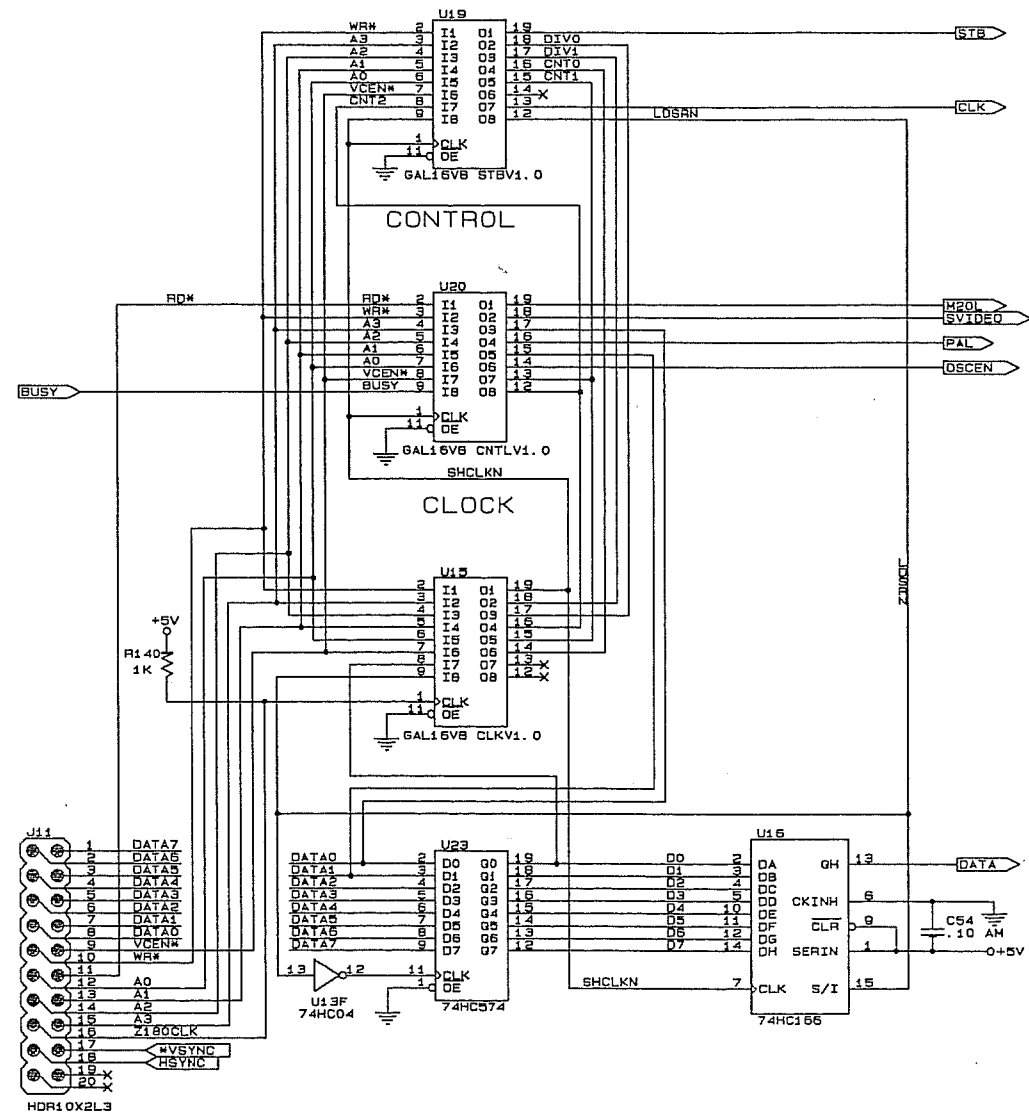
<p>CITATION 26046 EDEN LANDING RD. HAYWARD, CA. 94545 (510) 293-0183</p>	<p>LAYER: SILKSCREEN</p>
<p>CITATION 7.0 FRONT PANEL PART PLACEMENT</p>	
<p>750-2900-000 REV D0</p>	
<p>DATE: MAY 31, 1995</p>	
<p>DRAWN BY: LAURIE MILLE</p>	



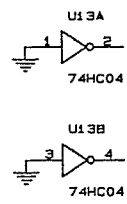
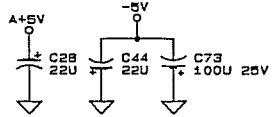
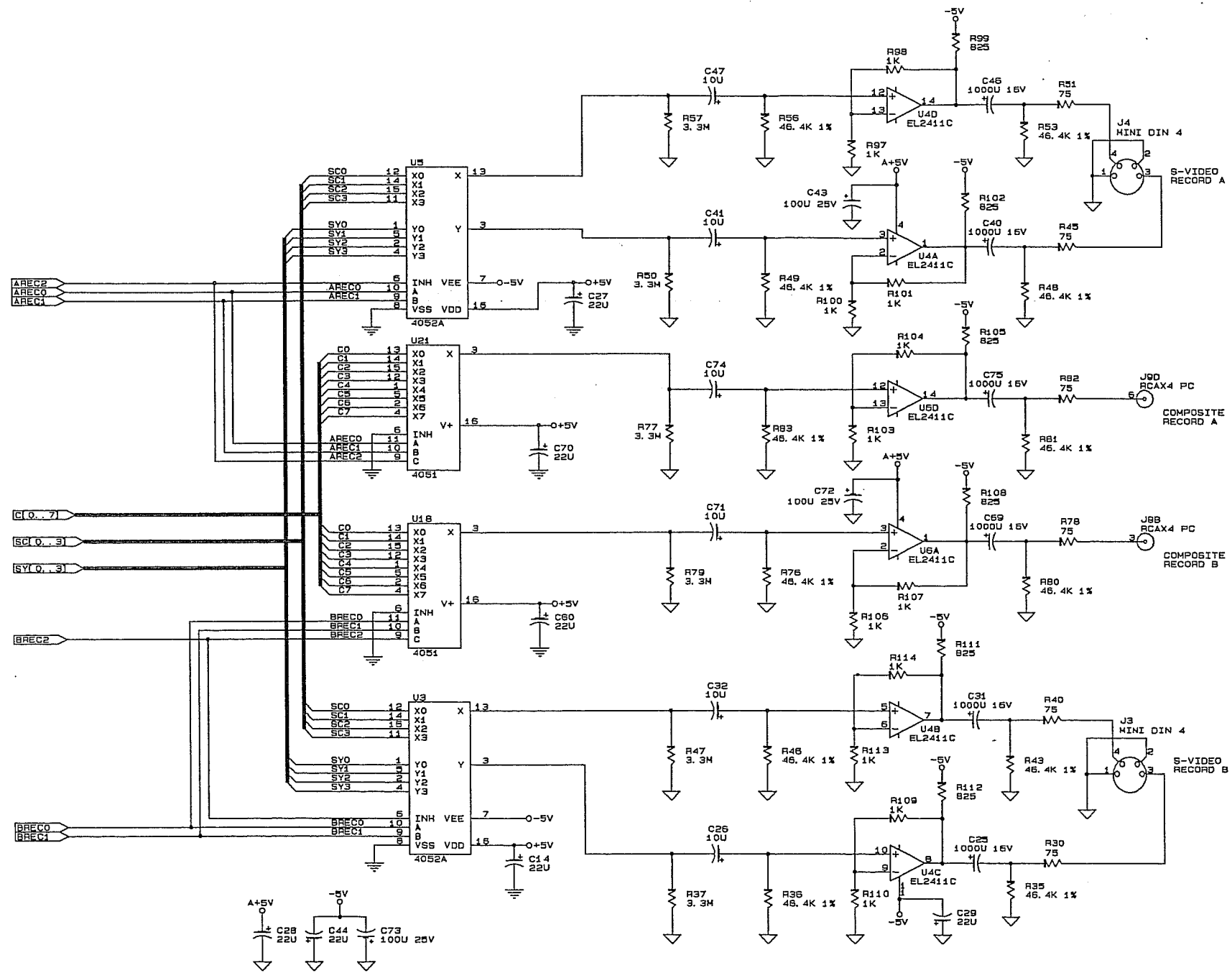
CITATION 7.0 402-02006-03
 Revision D

RELEASED FOR
 MANUFACTURE
 BY *[Signature]* 8/15/97

STROBE

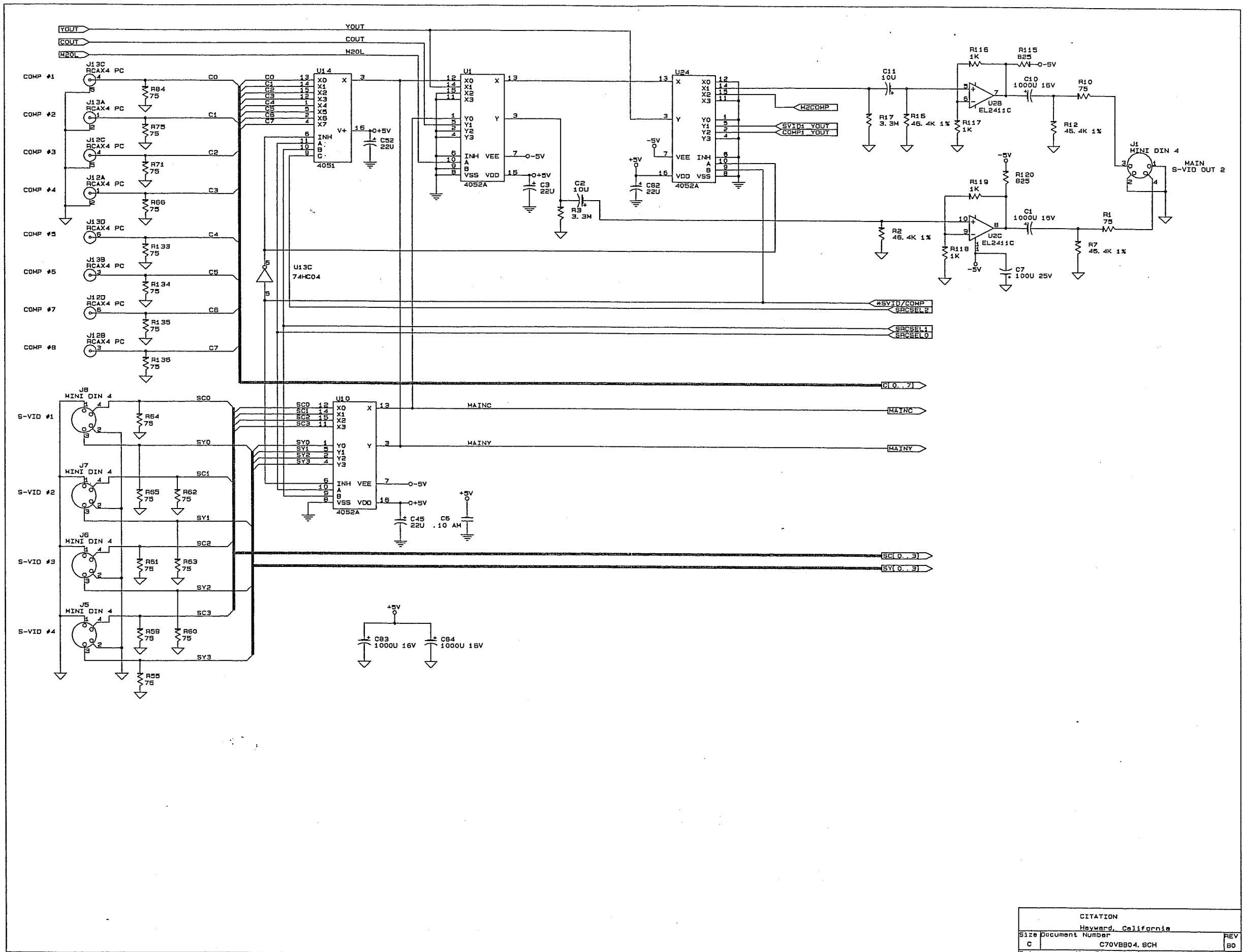


COPY



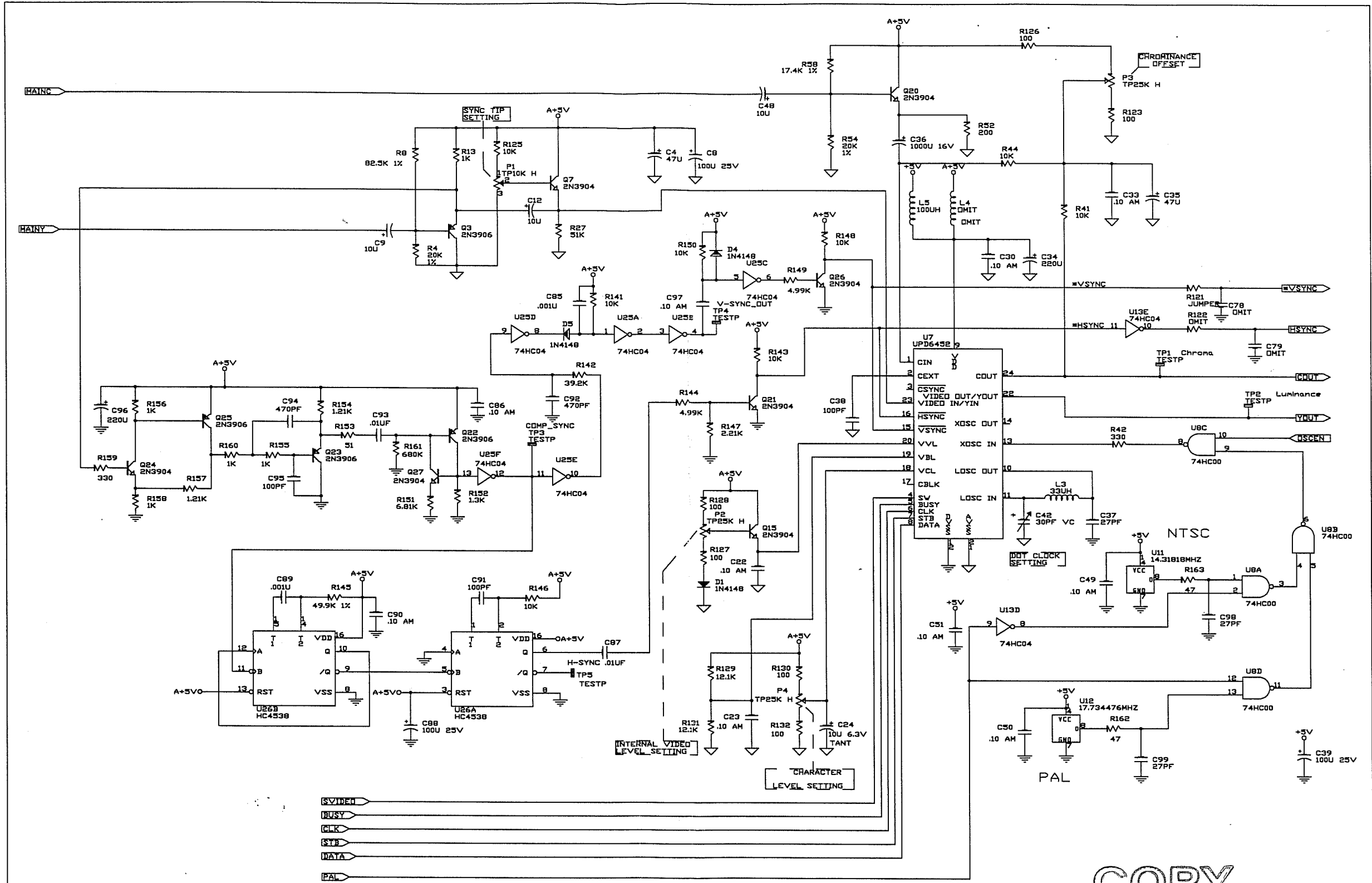
CITATION		
Hayward, California		
Size Document Number	C70VB803	REV B0
Date:	May 19, 1985 Sheet	3 of 4

COPY



COPY

CITATION		
Hayward, California		
Size	Document Number	REV
C	C70VBB04.BCH	B0
Date:	May 21, 1985	Sheet 4 of 4



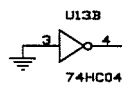
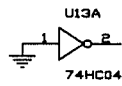
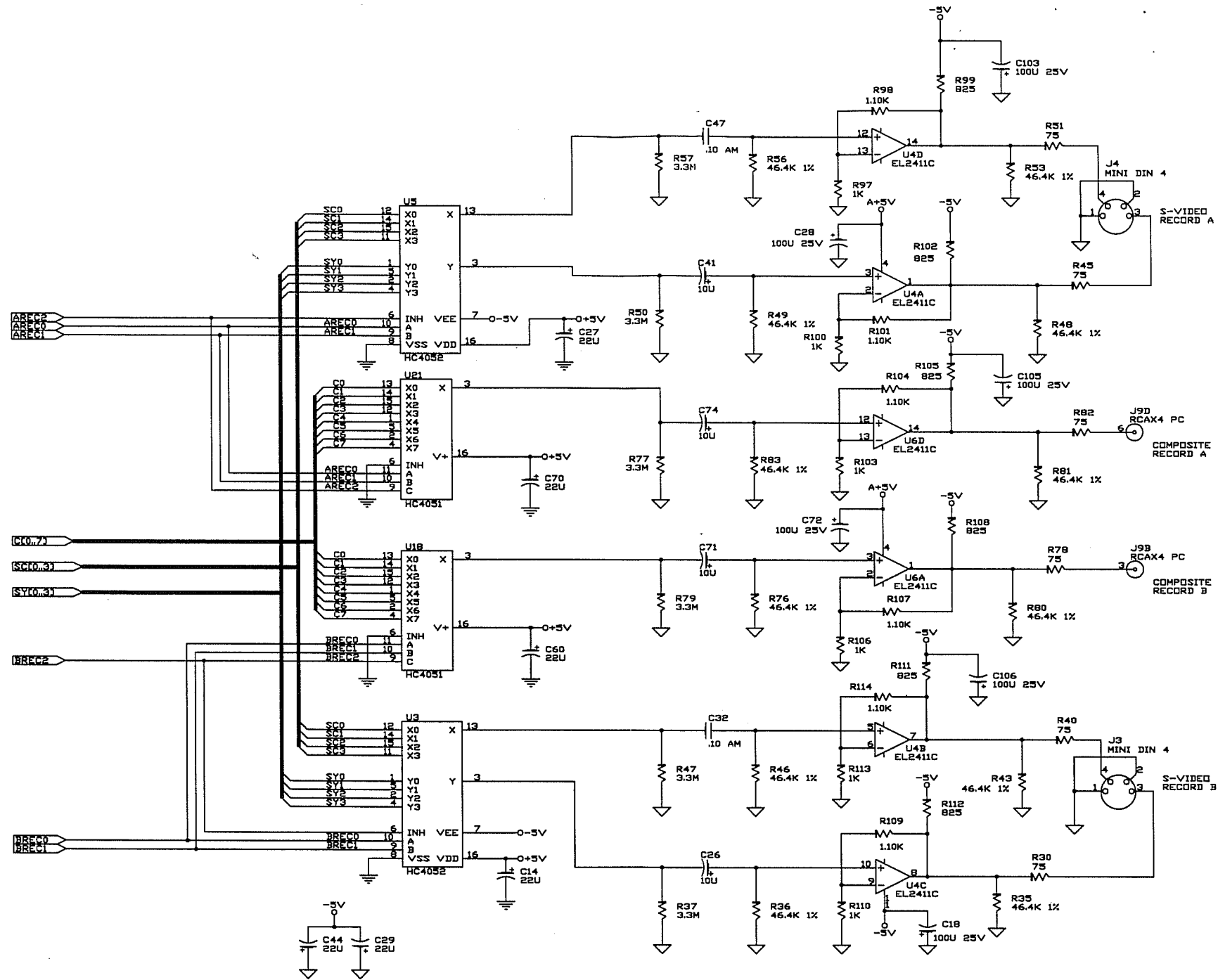
SVINH
 BUSY
 CLK
 STB
 DATA
 PAL

LINK
 IC70VBD12.SCH
 IC70VBD13.SCH
 IC70VBD14.SCH

COPY

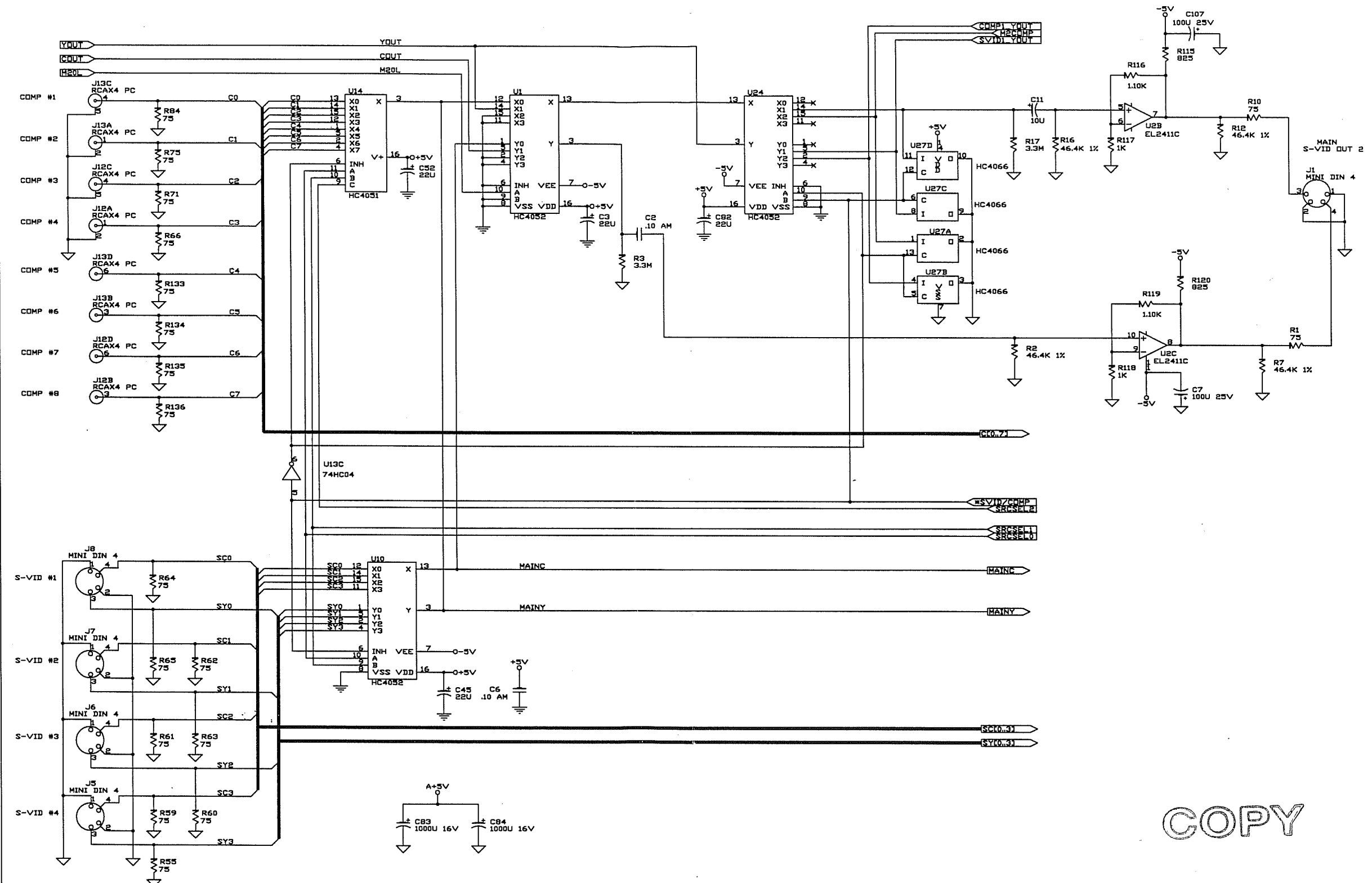
April 8 1997

CITATION	
Hayward, California	
Title	
CITATION VIDED CIRCUIT	
Size	Document Number
C	C70VBD11.SCH
Date:	August 6, 1997 Sheet 1 of 4
REV	D1



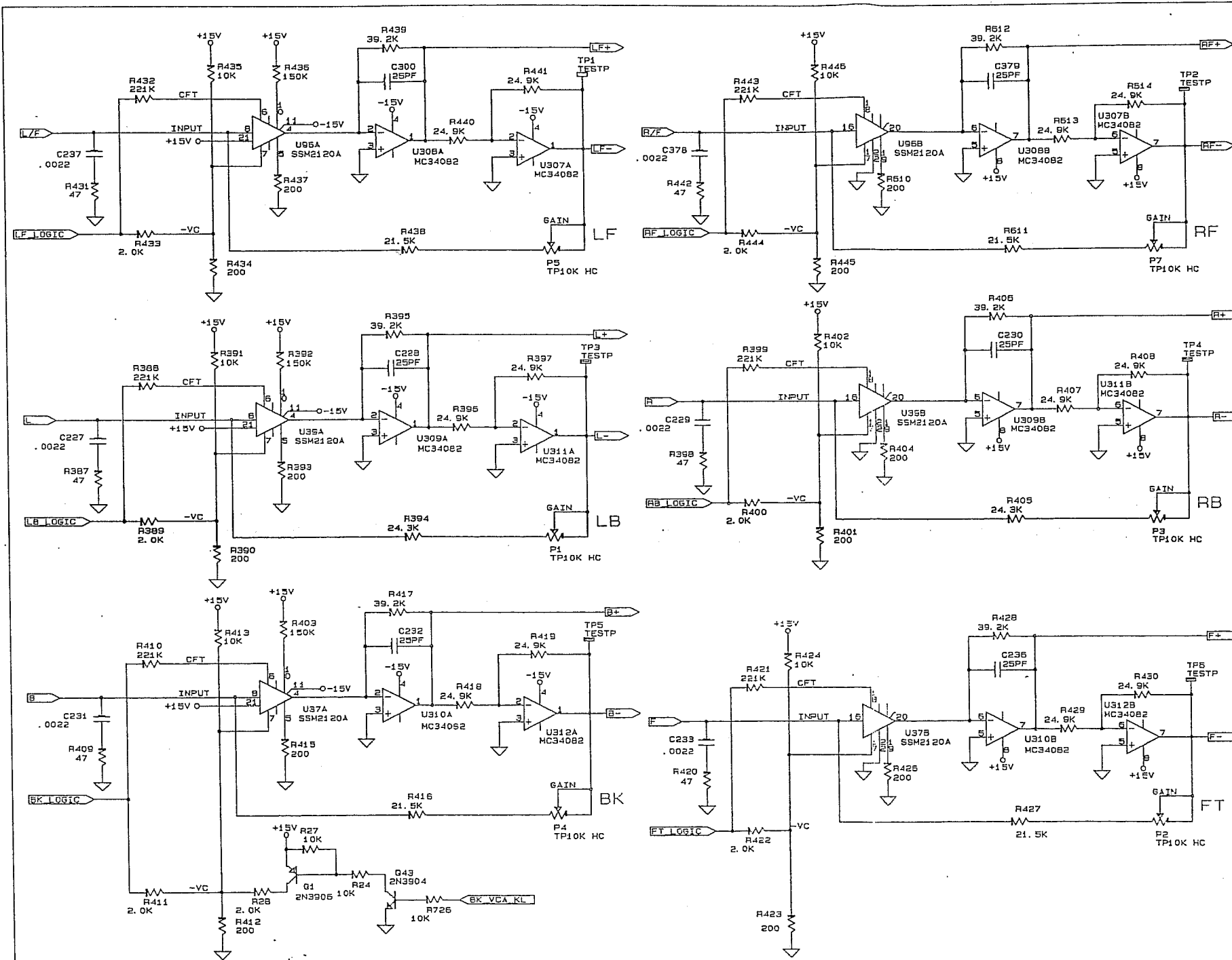
COPY

CITATION		
Hayward, California		
Size	Document Number	REV
C	C70VBD13.SCH	D1
Date:	August 6, 1997	Sheet 3 of 4



COPY

CITATION		
Hayward, California		
Size	Document Number	REV
C	C70VB014.SCH	D1
Date	August 6, 1997	Sheet 4 of 4

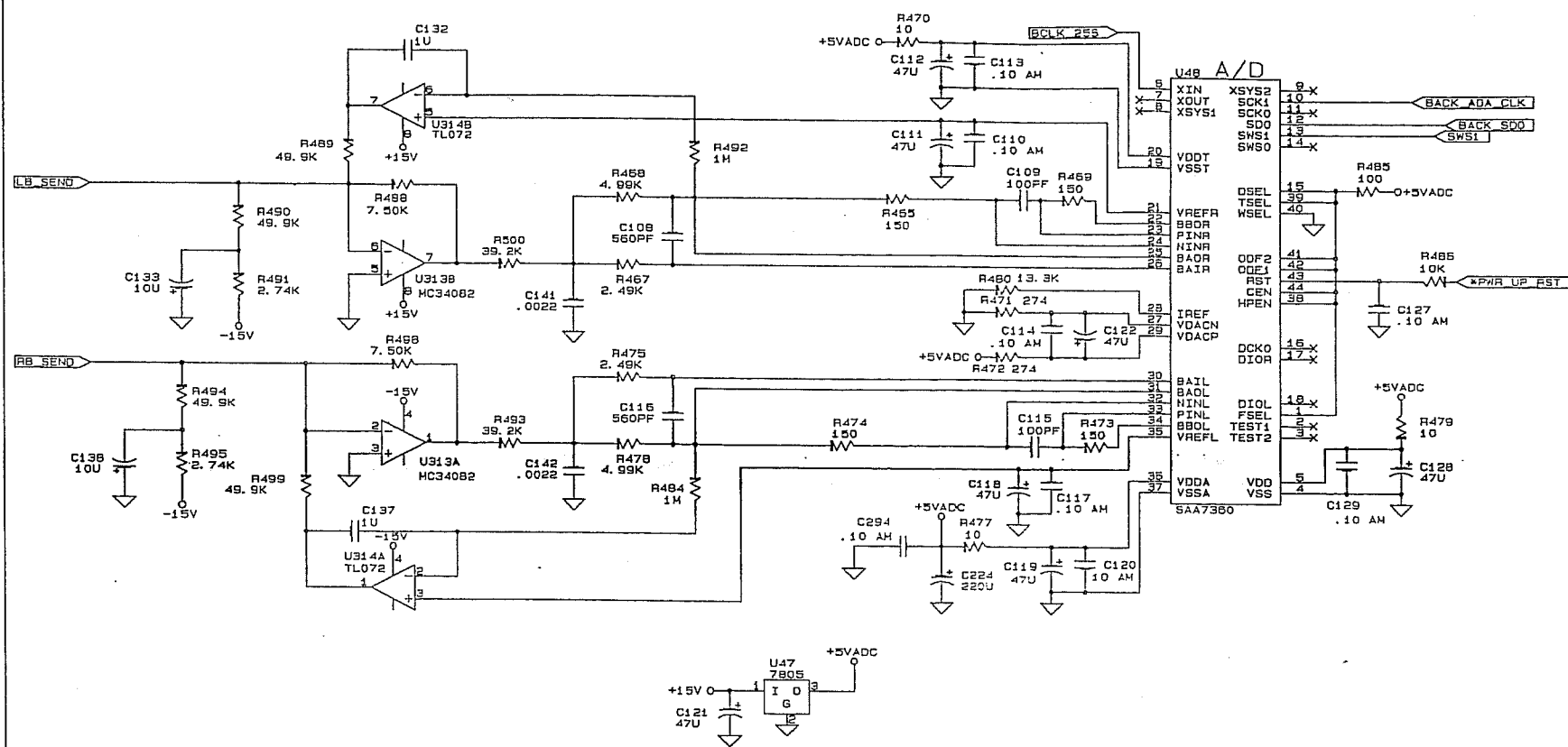


COPY

CITATION	
Hayward, California	
Title	VCA CIRCUITS 400-02005-03
Size	Document Number
C	C7MB0002.SCH
Date:	April 26, 1985 Sheet 2 of 11

ALIAS FILTERS

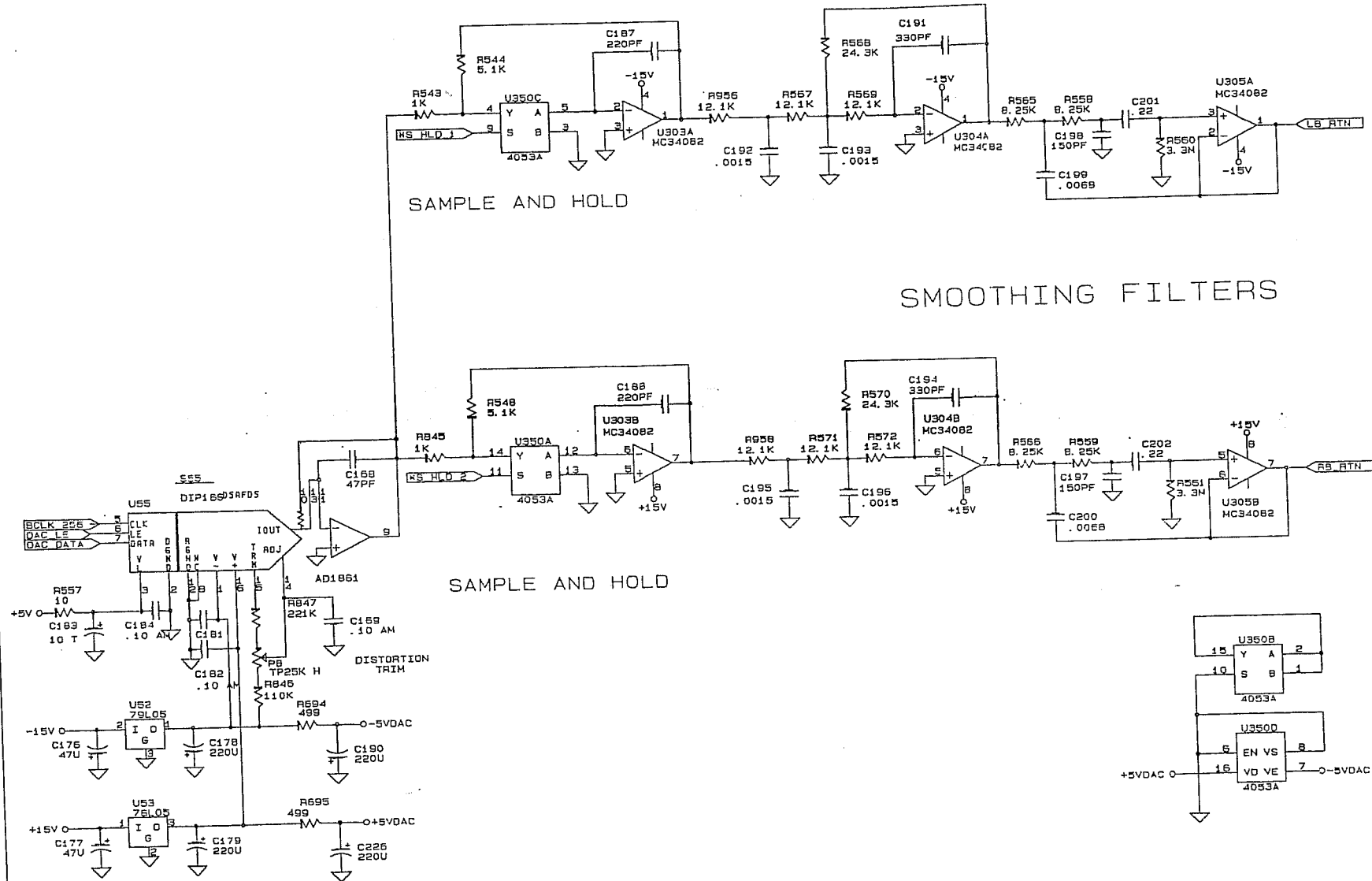
ANALOG TO DIGITAL CONVERTER



COPY

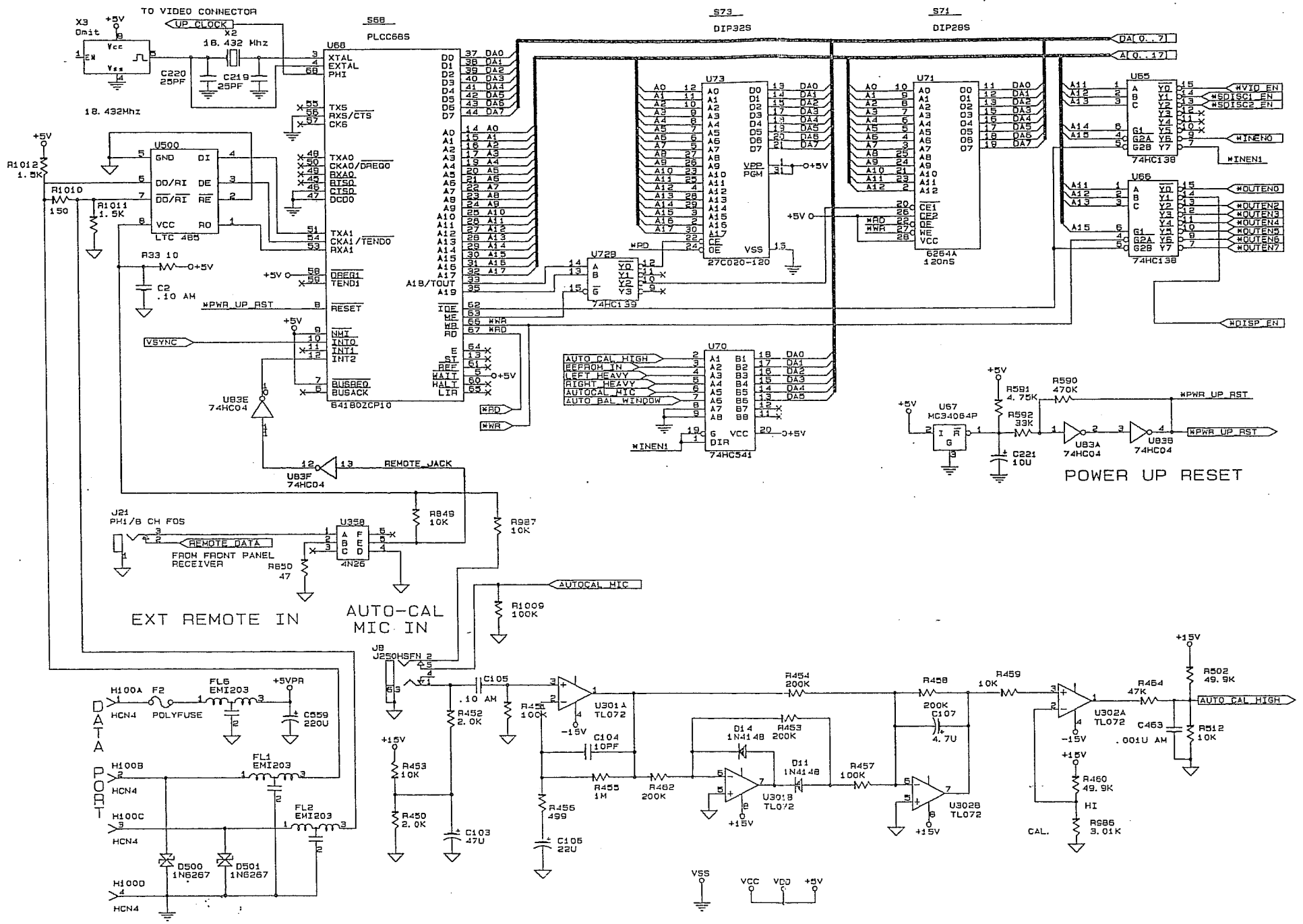
CITATION	
Hayward, California	
Title	A/D CONVERTER 400-02006-03
Size	Document Number
C	C7MBD003.SCH
Date:	April 26, 1995 Sheet 3 of 11
REV	DO

DIGITAL TO ANALOG CONVERTER



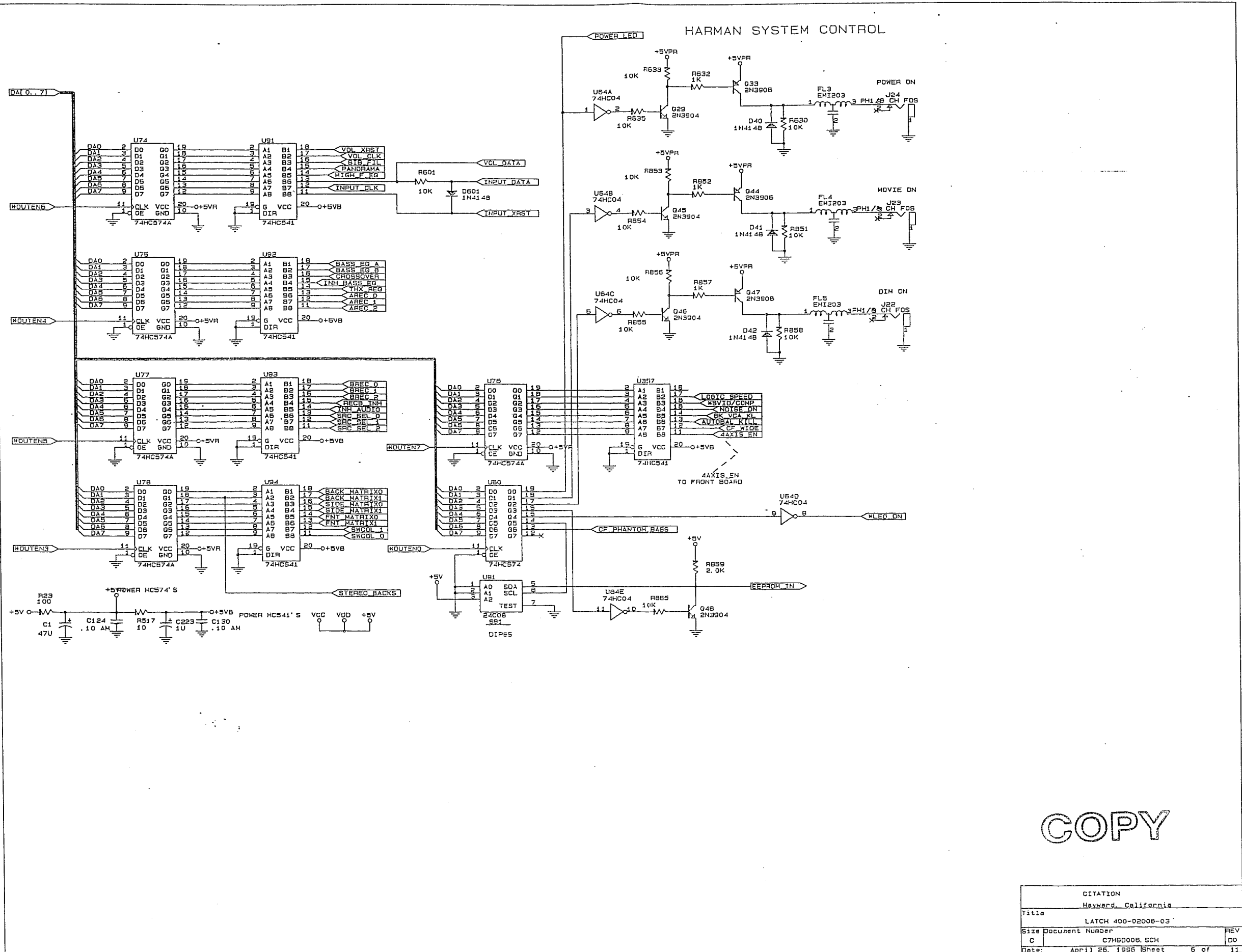
COPY

CITATION	
Hayward, California	
Title	D/A CONVERTER 400-02006-06
Size	Document Number
C	C7HB0004, SCH
Date:	April 26, 1995 Sheet 4 of 11



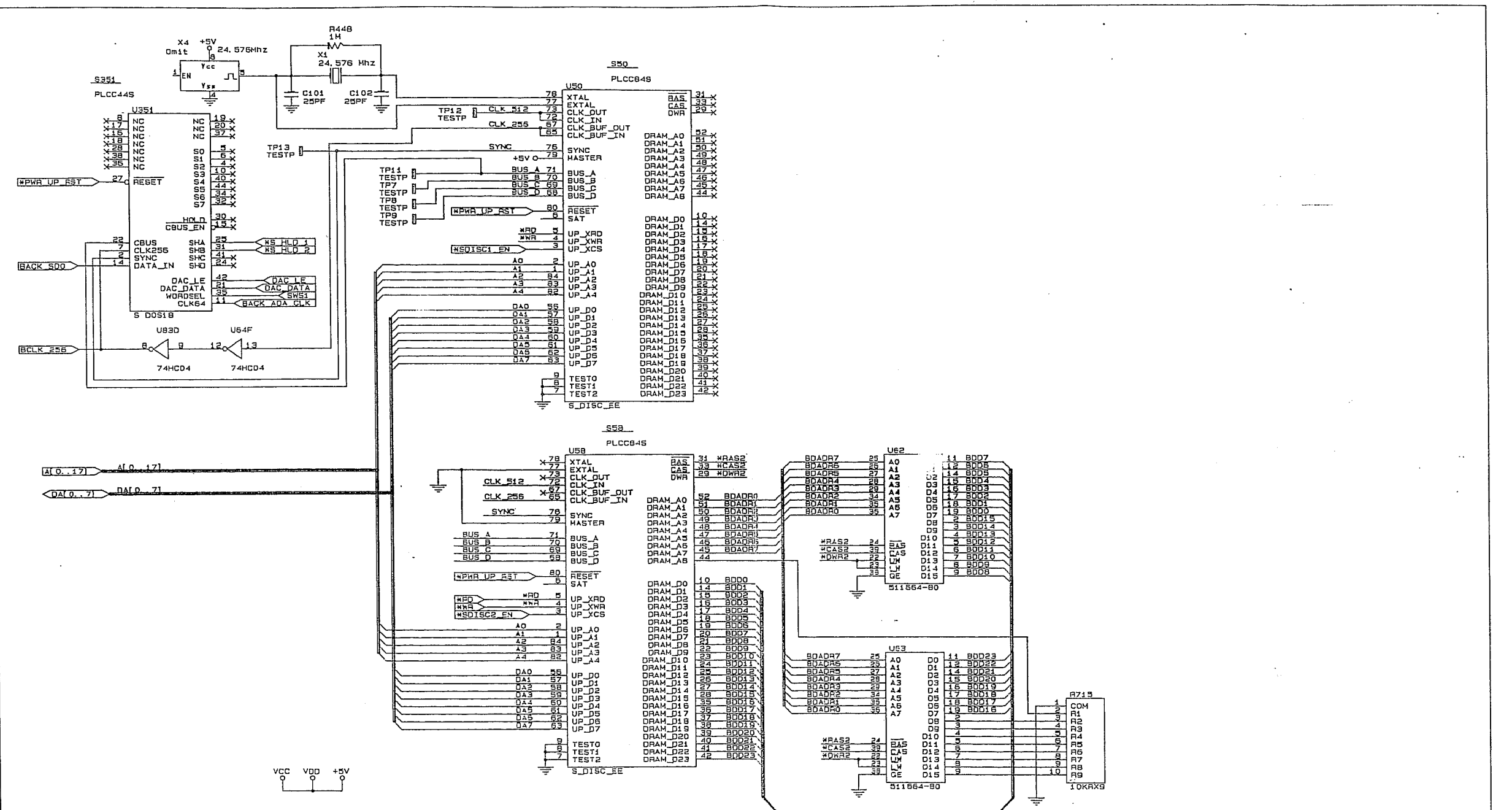
COPY

CITATION	
Hayward, California	
Title CPU 400-02006-03	
Size Document Number	REV
C 07HBD005.SCH	00
Date: April 25, 1988	Sheet 5 of 11



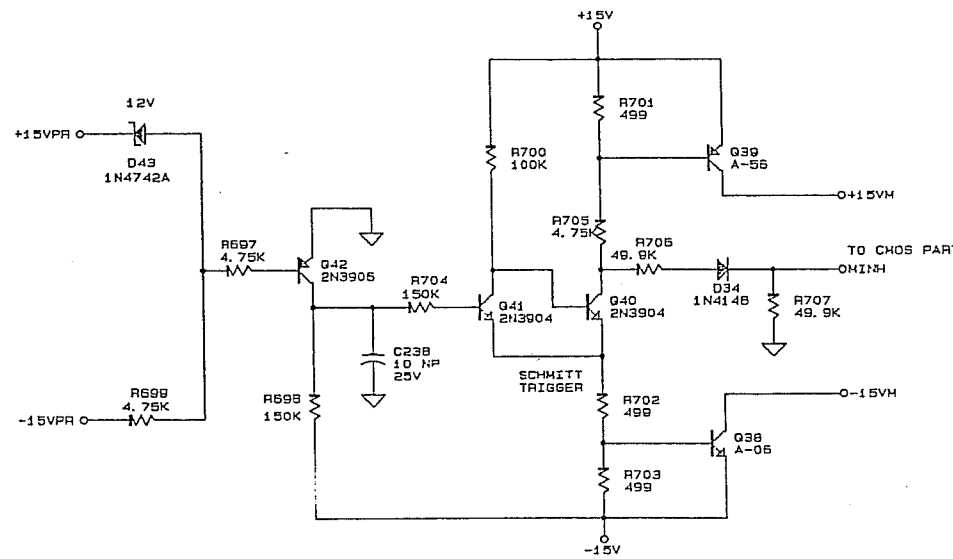
COPY

CITATION	
Hayward, California	
Title	
LATCH 400-02006-03	
Size	Document Number
C	C7MBD006.SCH
REV	DO
Date:	April 26, 1985 Sheet 6 of 11

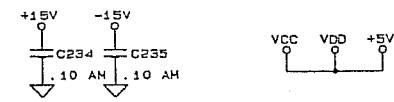
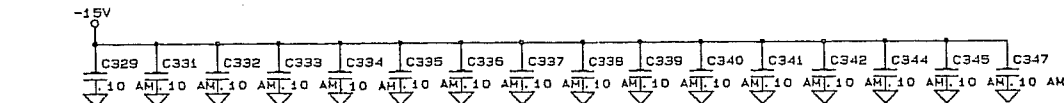
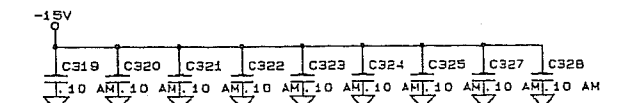
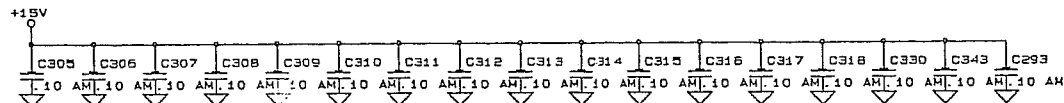
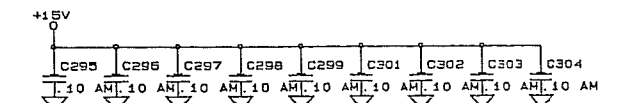
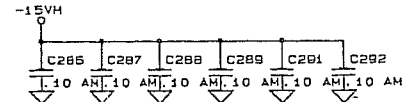
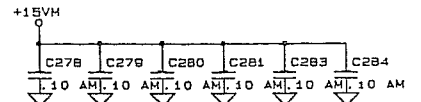
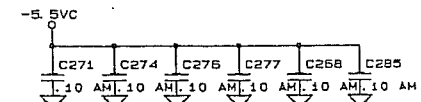
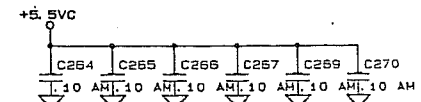
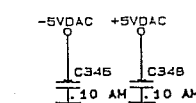
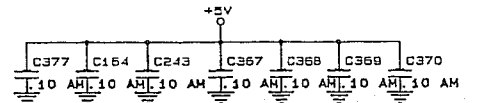
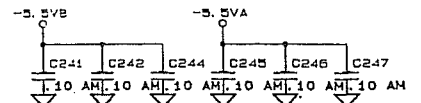
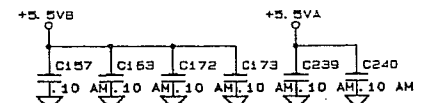
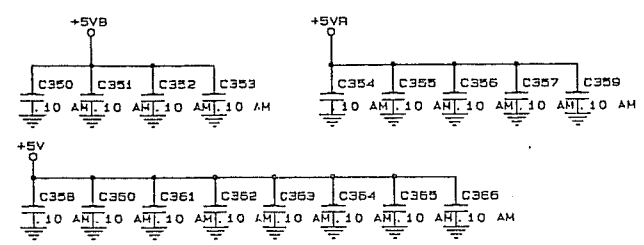


COPY

CITATION	
Hayward, California	
Title	DSP 400-02005-03
Size Document Number	REV
C	C7M9D007.SCH 00
Date:	April 28, 1995 Sheet 7 of 11



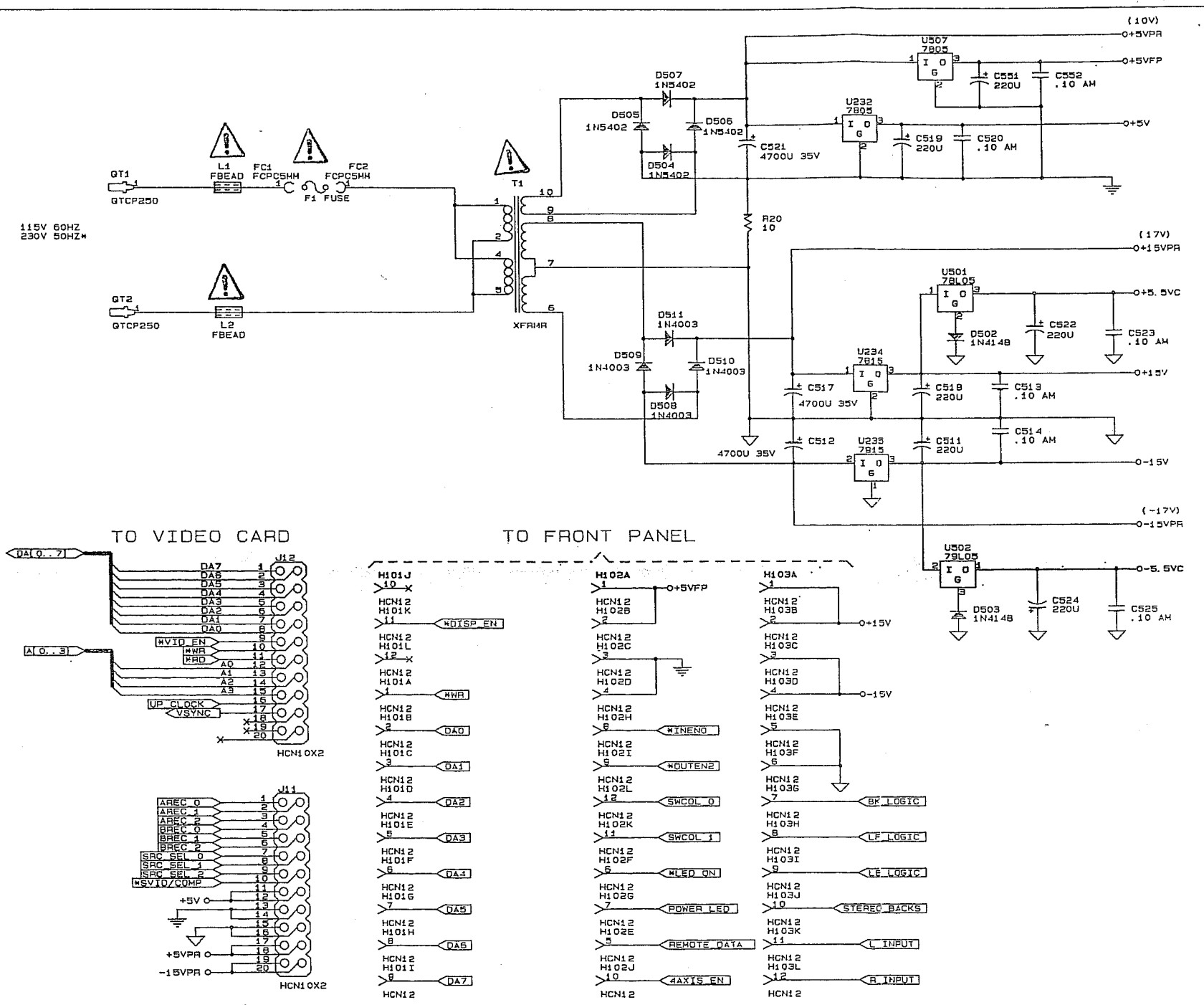
MUTING CIRCUIT



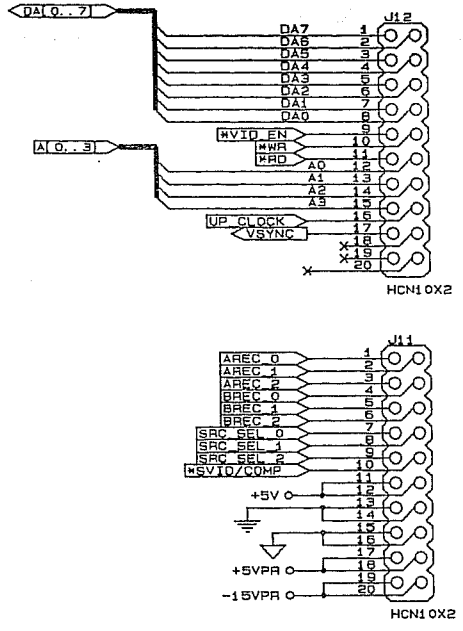
COPY

CITATION	
Hayward, California	
Title	
MUTING 400-02005-03	
Size	Document Number
C	C7MB0008.SCH
Date:	April 26, 1956 Sheet B of 11
REV	DO

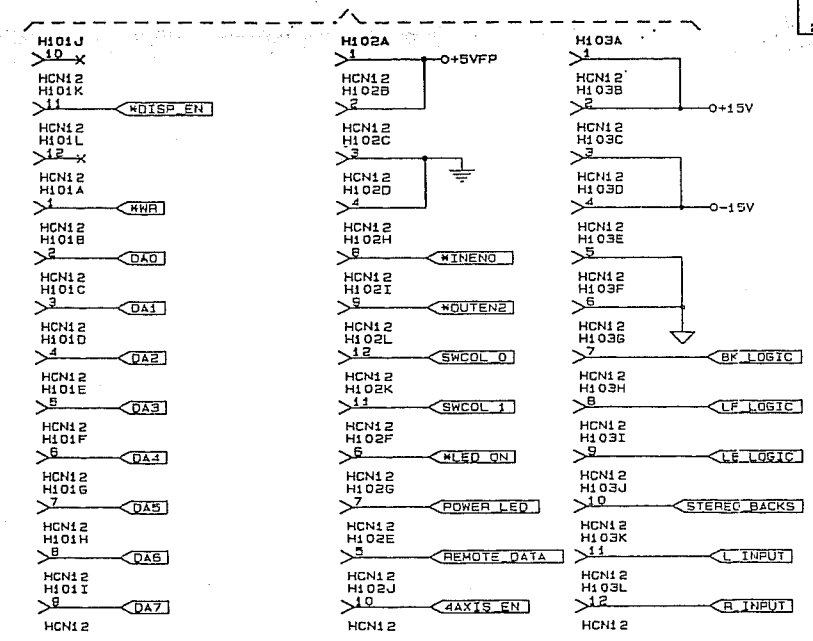
115V 60HZ
230V 50HZ



TO VIDEO CARD

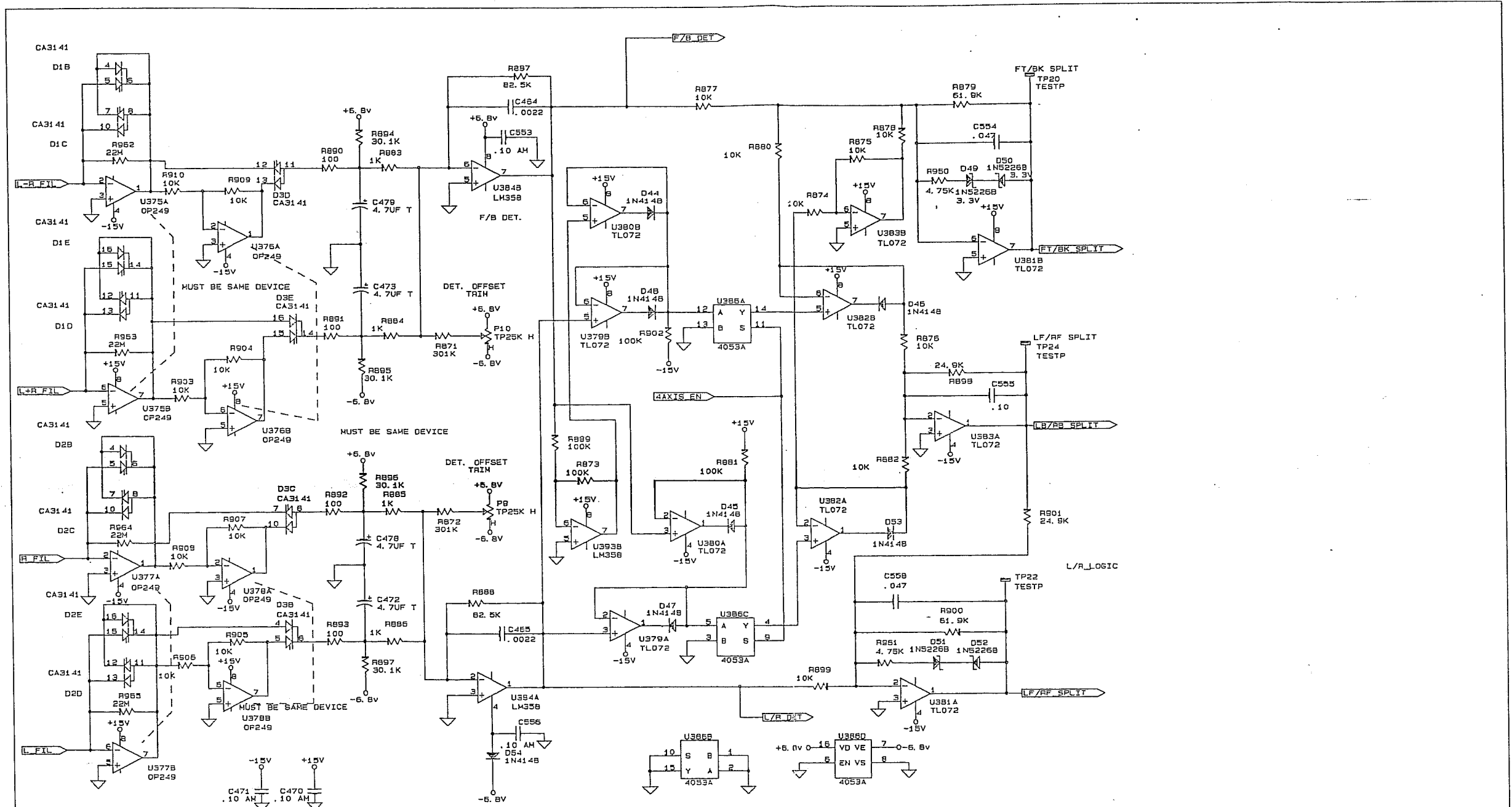


TO FRONT PANEL



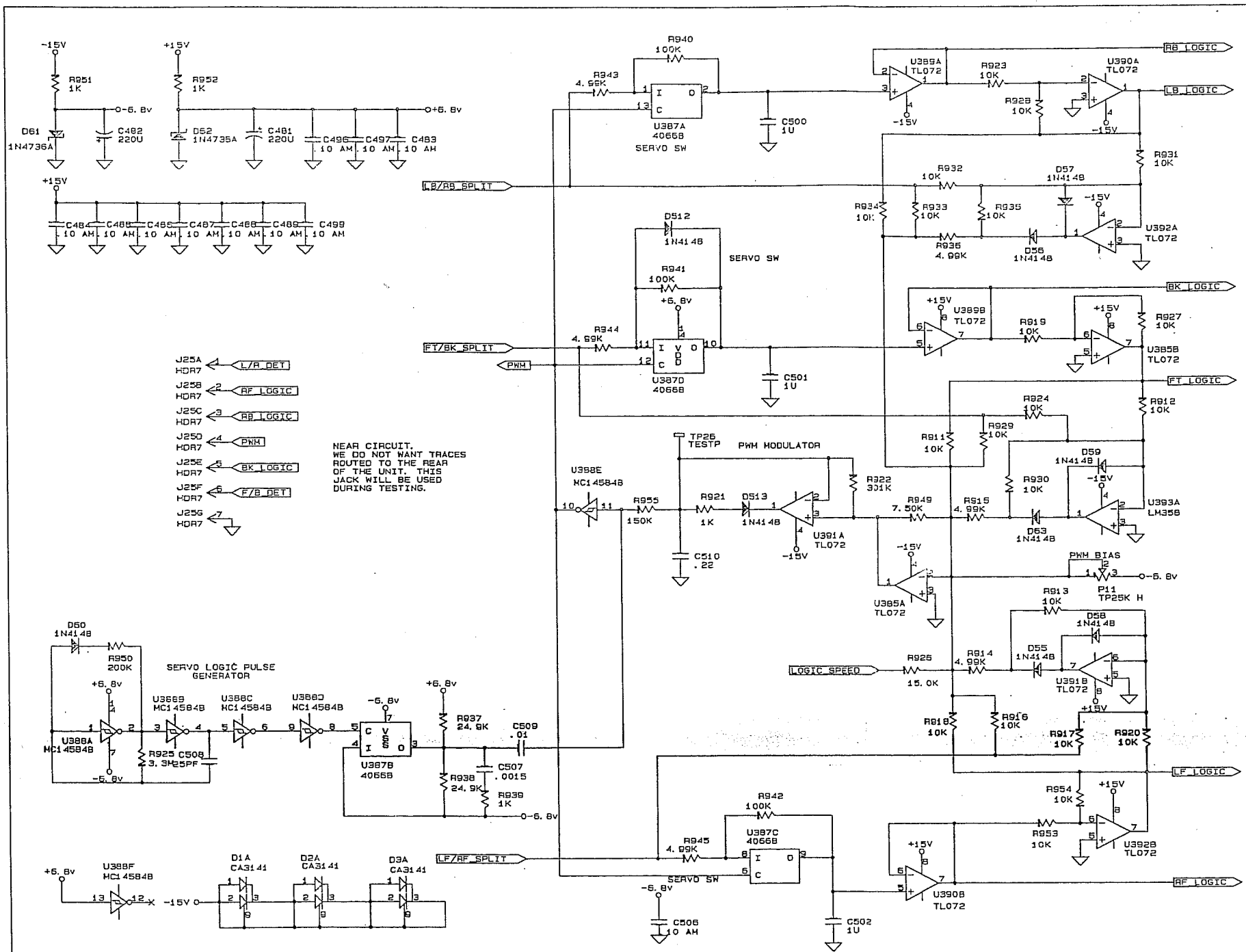
COPY

CITATION	
Hayward, California	
Title CITATION 7.0 POWER SUPPLY 400-02005-03	
Size	Document Number
C	C7MB0008.SCH
Date:	April 26, 1995 Sheet 9 of 11



COPY

CITATION	
Hayward, California	
Title	
CITATION 7.0 CVG DET/SPLITTER 400-02005-03	
Size	Document Number
C	C7HBD010.SCH
REV	DO
Date:	April 26, 1985 Sheet 10 of 11

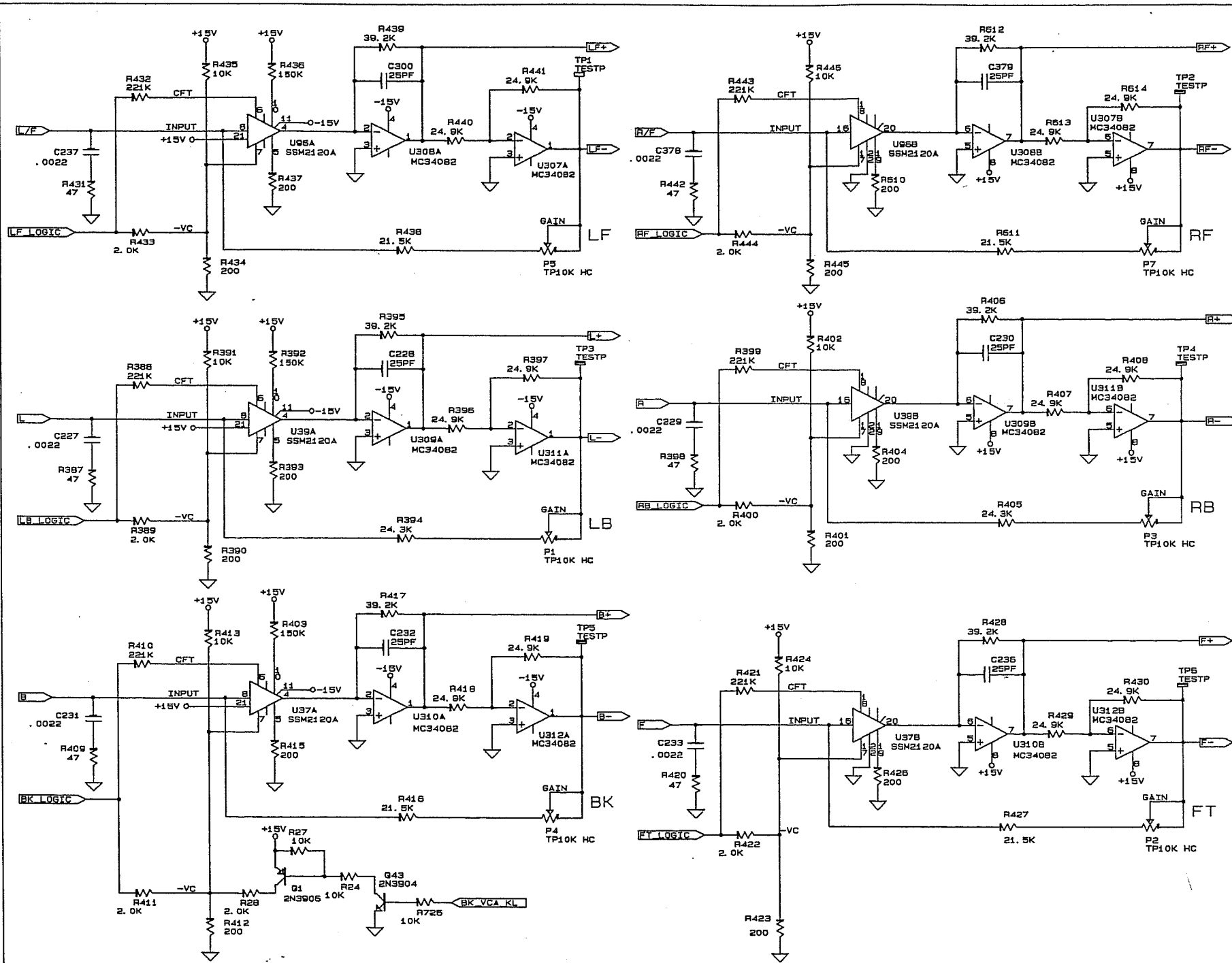


- J25A HDR7 ← L/R_DET
- J25B HDR7 ← RF LOGIC
- J25C HDR7 ← RB LOGIC
- J25D HDR7 ← PWM
- J25E HDR7 ← BK LOGIC
- J25F HDR7 ← F/B_DET
- J25G HDR7

NEAR CIRCUIT.
WE DO NOT WANT TRACES
ROUTED TO THE REAR
OF THE UNIT. THIS
JACK WILL BE USED
DURING TESTING.

COPY

CITATION	
Hayward, California	
Title	CITATION 7.0 CVG SERVO LOGIC 400-02006-03
Size Document Number	C7MBD011.6CH
REV	DO
Date:	April 26, 1995 Sheet 11 of 11

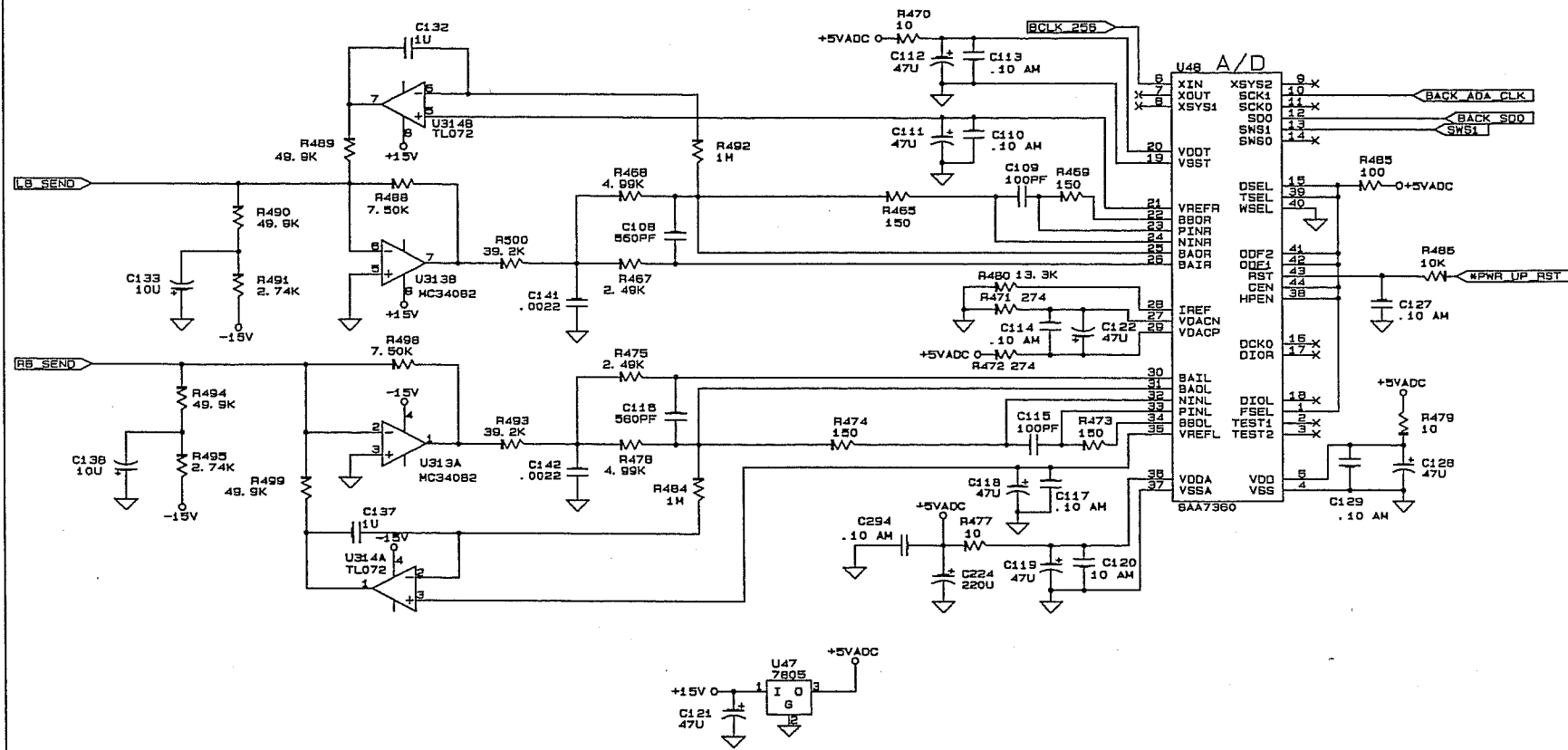


COPY

CITATION	
Hayward, California	
Title	
VCA CIRCUITS 400-02006-03	
Size	Document Number
C	C7MB0202.SCH
Date:	September 5, 1995 Sheet 2 of 11

ALIAS FILTERS

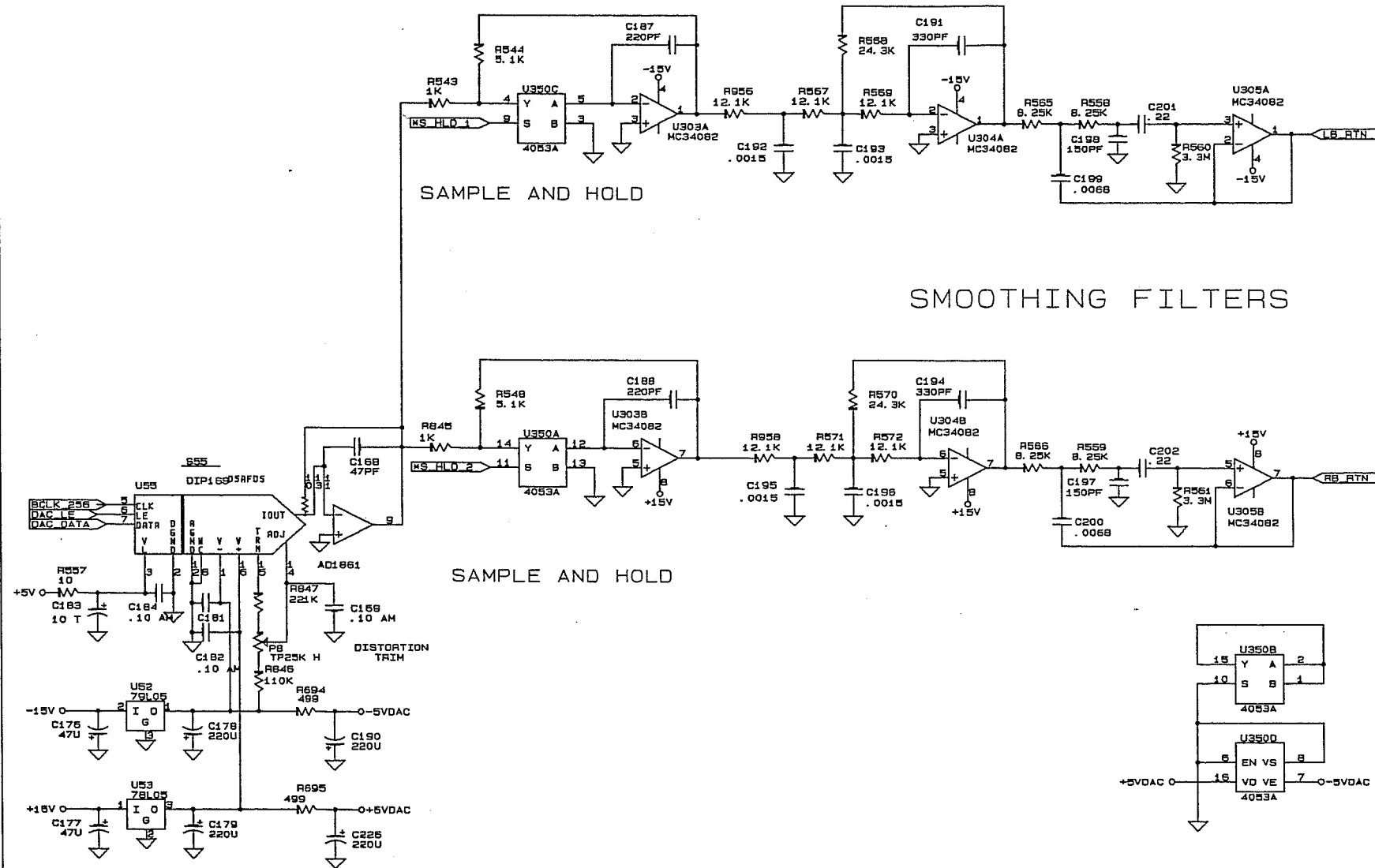
ANALOG TO DIGITAL CONVERTER



COPY

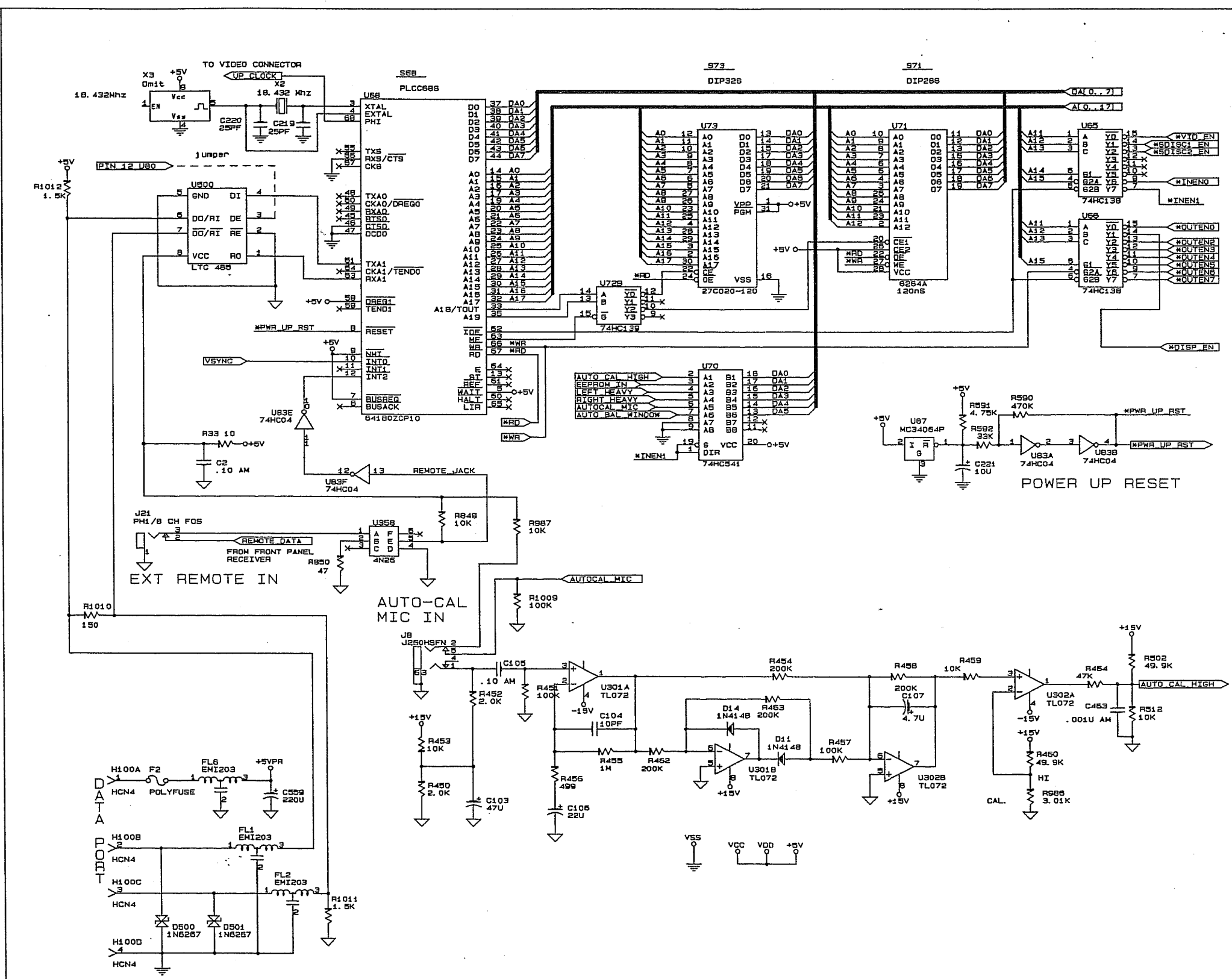
CITATION	
Hayward, Calif 94514	
Title	A/D CONVERTER 400-R2006-03
Size	Document Number
C	C7M80203, BPH
Date:	September 5, 1988
	3 of 11

DIGITAL TO ANALOG CONVERTER



COPY

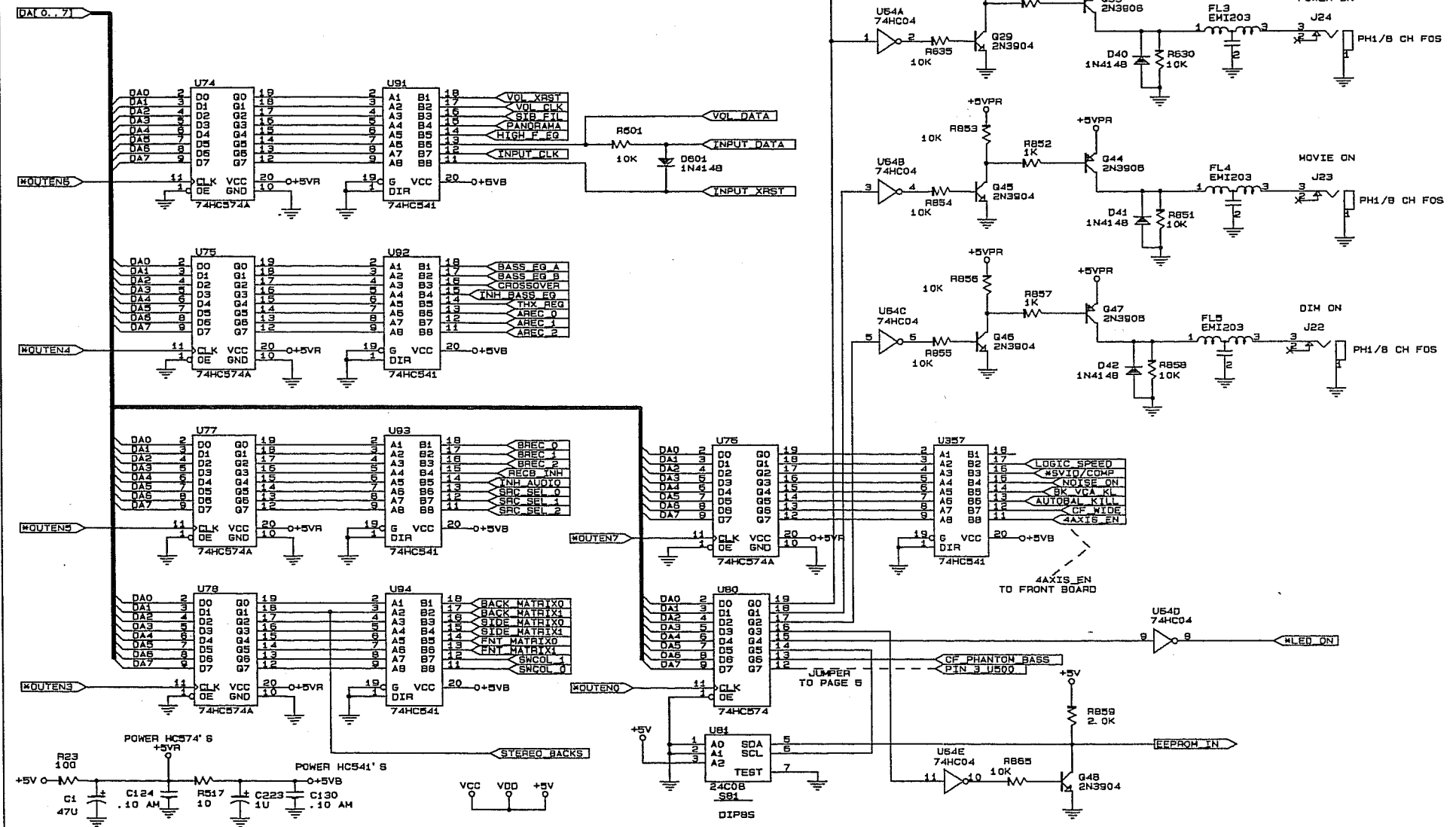
CITATION	
Hayward, California	
Title	
D/A CONVERTER 400-02006-06	
Size Document Number	REV
C 7HBD204.6CH	D2
Date: September 5, 1985	Sheet 4 of 11



COPY

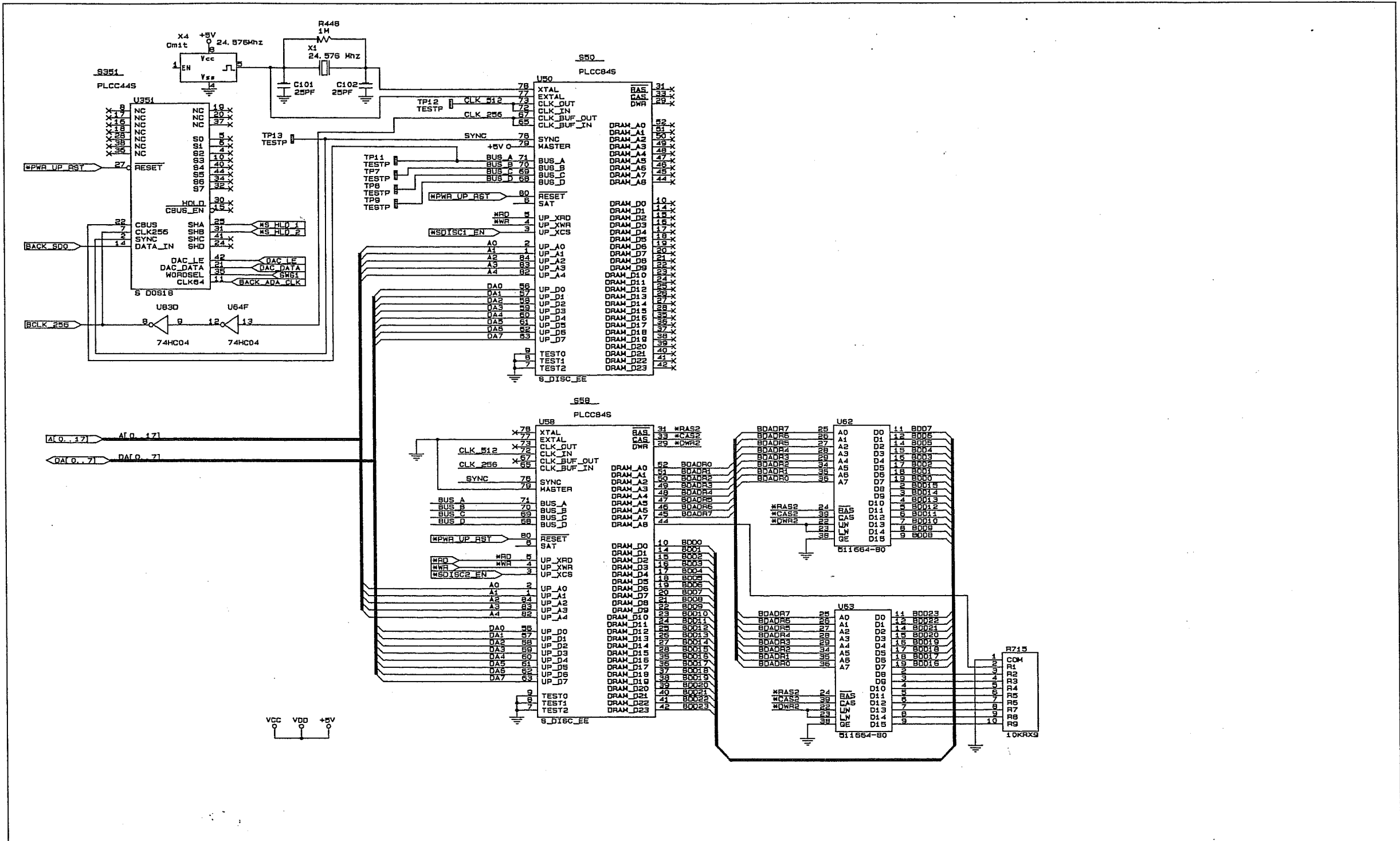
CITATION	
Hayward, California	
Title	CPU 400-02005-03
Size	Document Number
C	C7MBD205.SCH
Date:	September 5, 1995 Sheet 5 of 11

HARMAN SYSTEM CONTROL



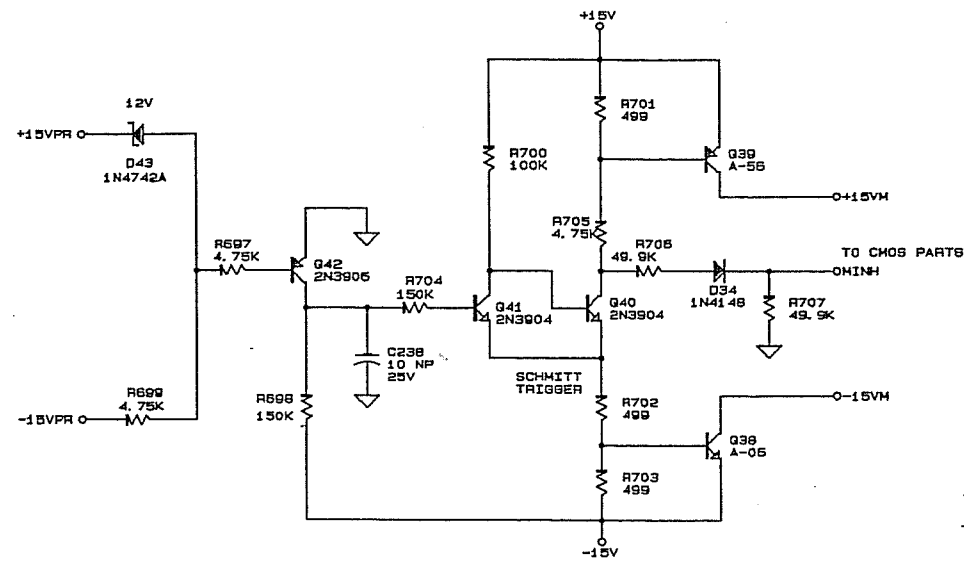
COPY

CITATION	
Hayward, California	
Title	
LATCH 400-02006-03	
Size Document Number	REV
C	C7MBD206 SCH
Date: September 5, 1995	Sheet 6 of 11

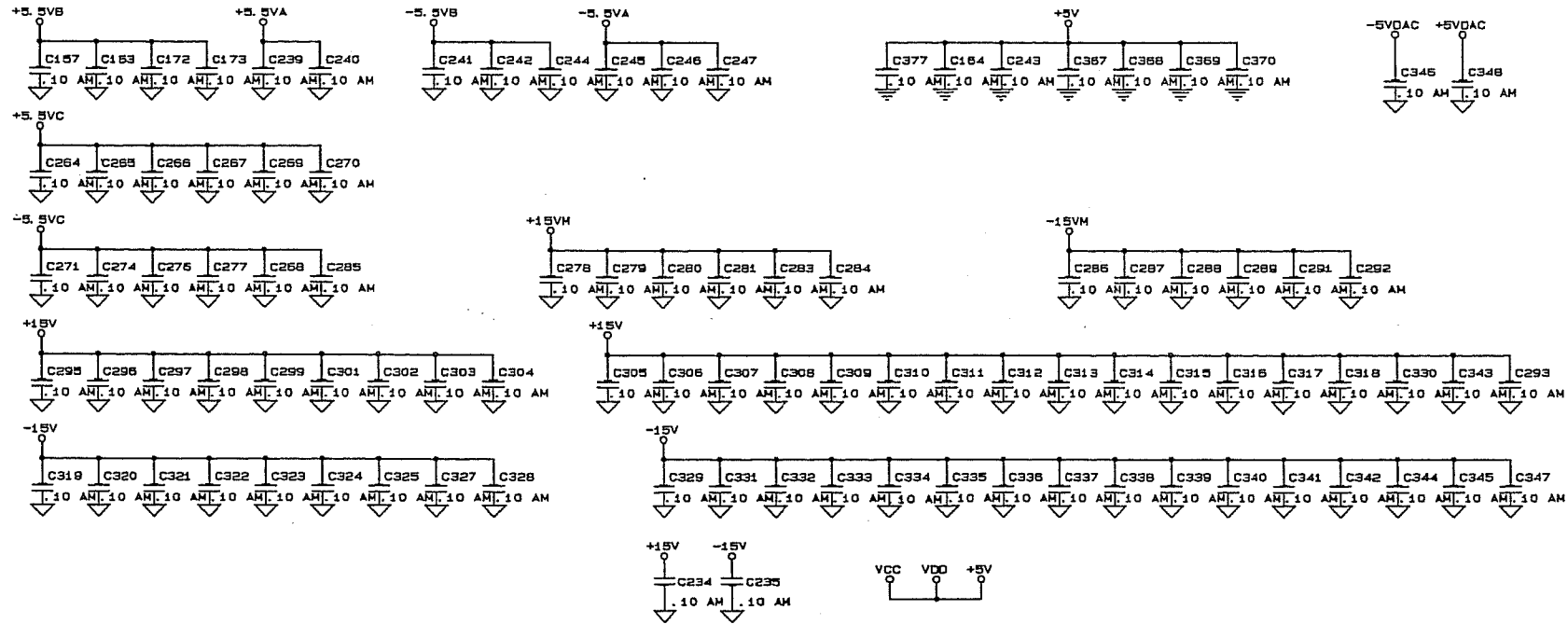
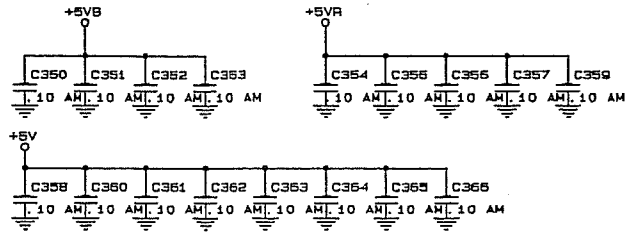


COPY

CITATION	
Hayward, California	
Title	
DSP 400-02006-03	
Size Document Number	REV
C	D2
Date: September 5, 1995	Sheet 7 of 11



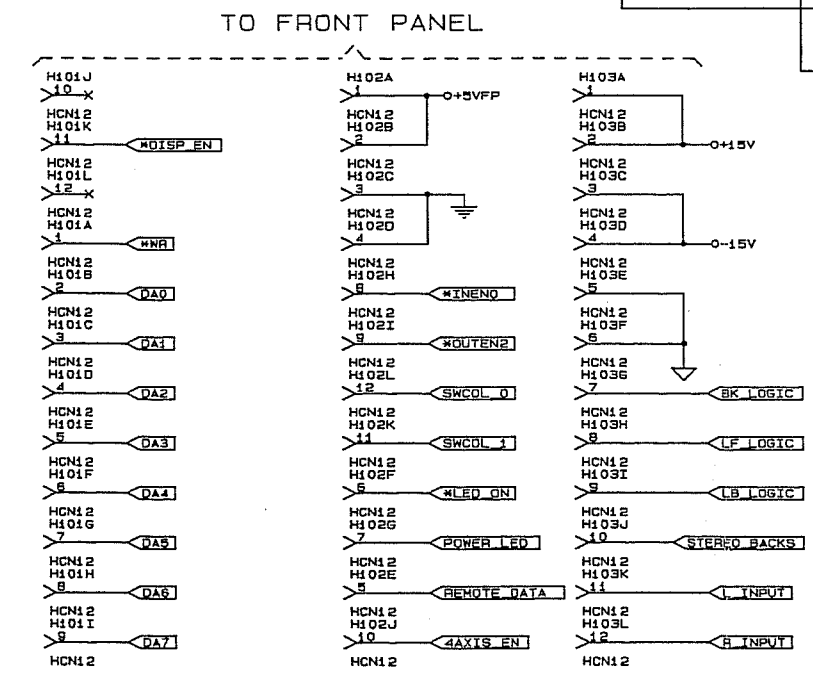
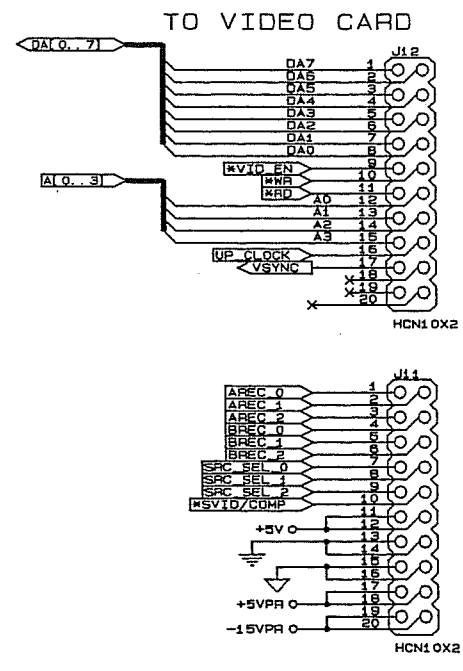
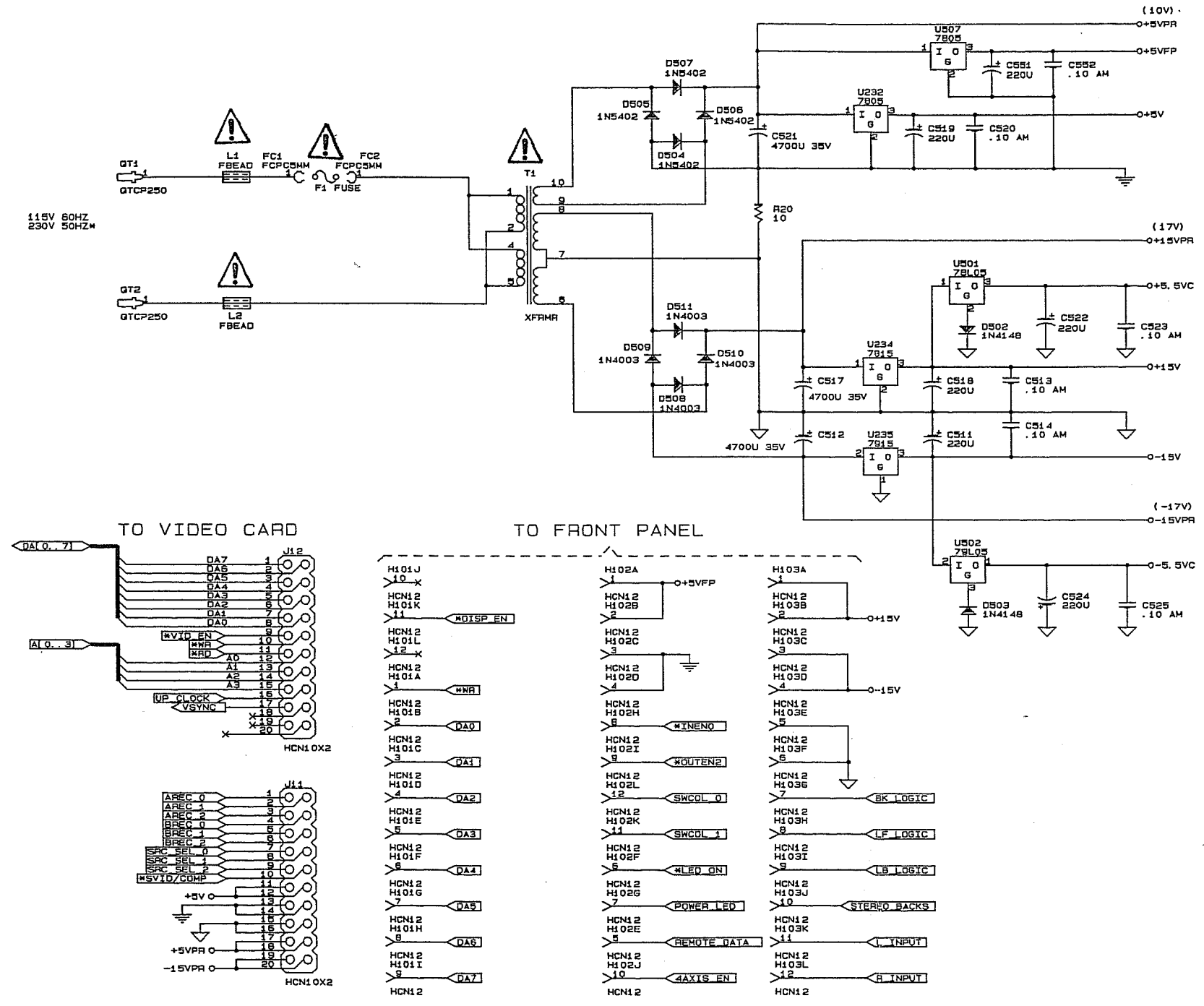
MUTING CIRCUIT



COPY

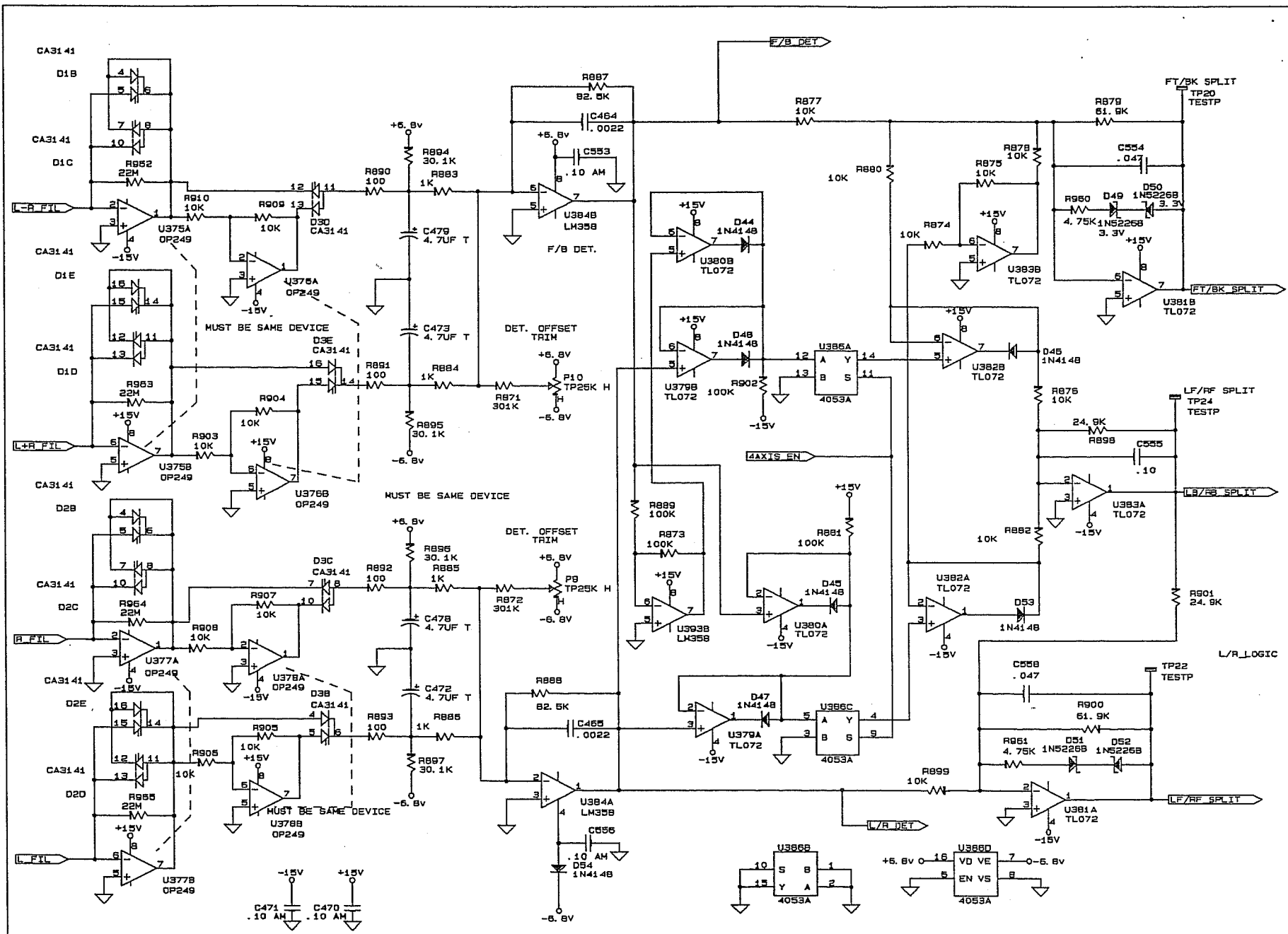
CITATION	
Hayward, California	
Title	
MUTING 400-02008-03	
Size	Document Number
C	C7MB0208.SCH
Date:	September 5, 1995 Sheet 8 of 11
REV	D2

115V 60HZ
230V 50HZ



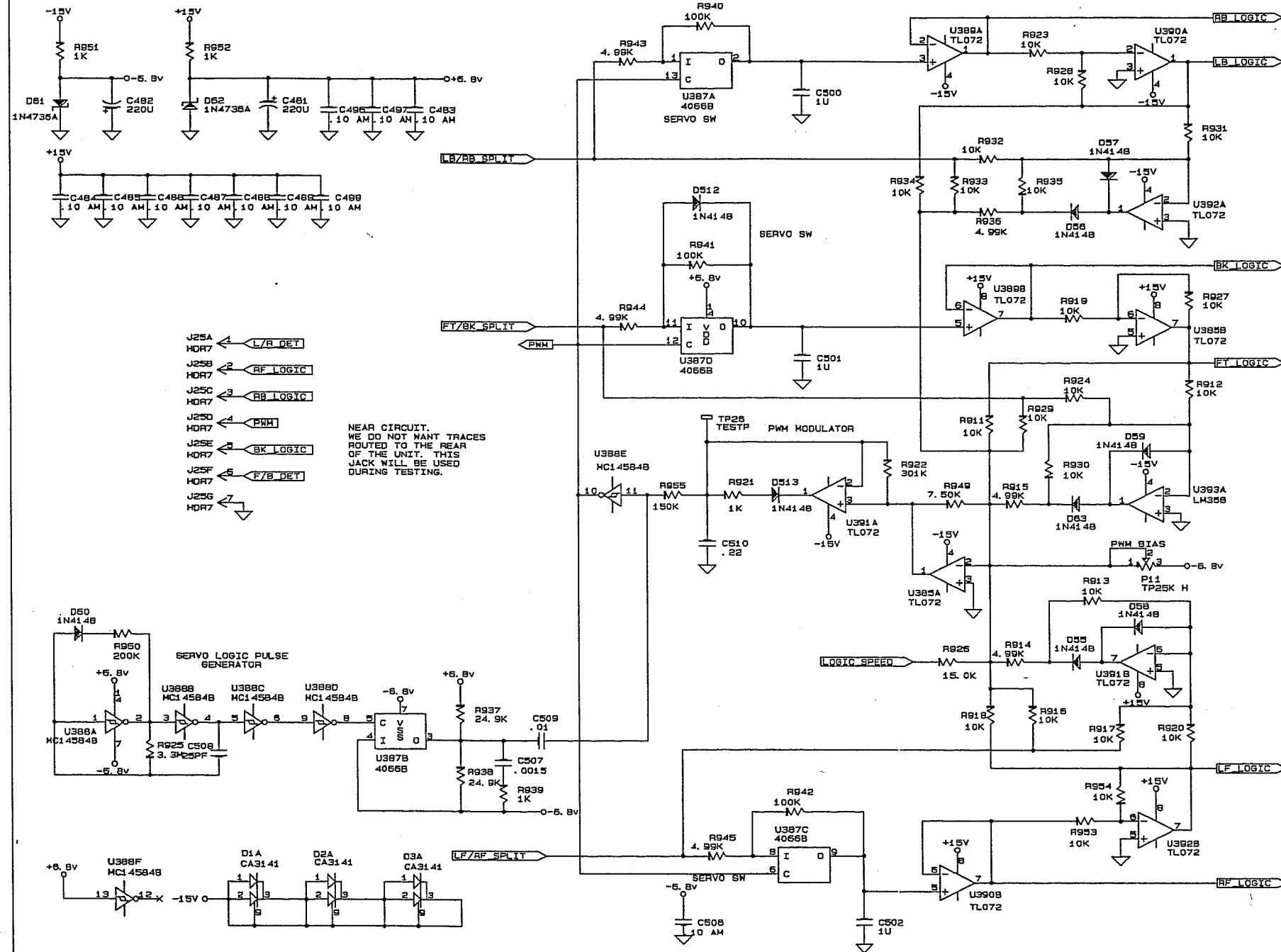
COPY

CITATION		REV	
Hayward, California		D2	
Title	CITATION 7.0 POWER SUPPLY 400-02006-03		
Size	Document Number	C7MBD209.SCH	
C	Date: September 5, 1995	Sheet	9 of 11



COPY

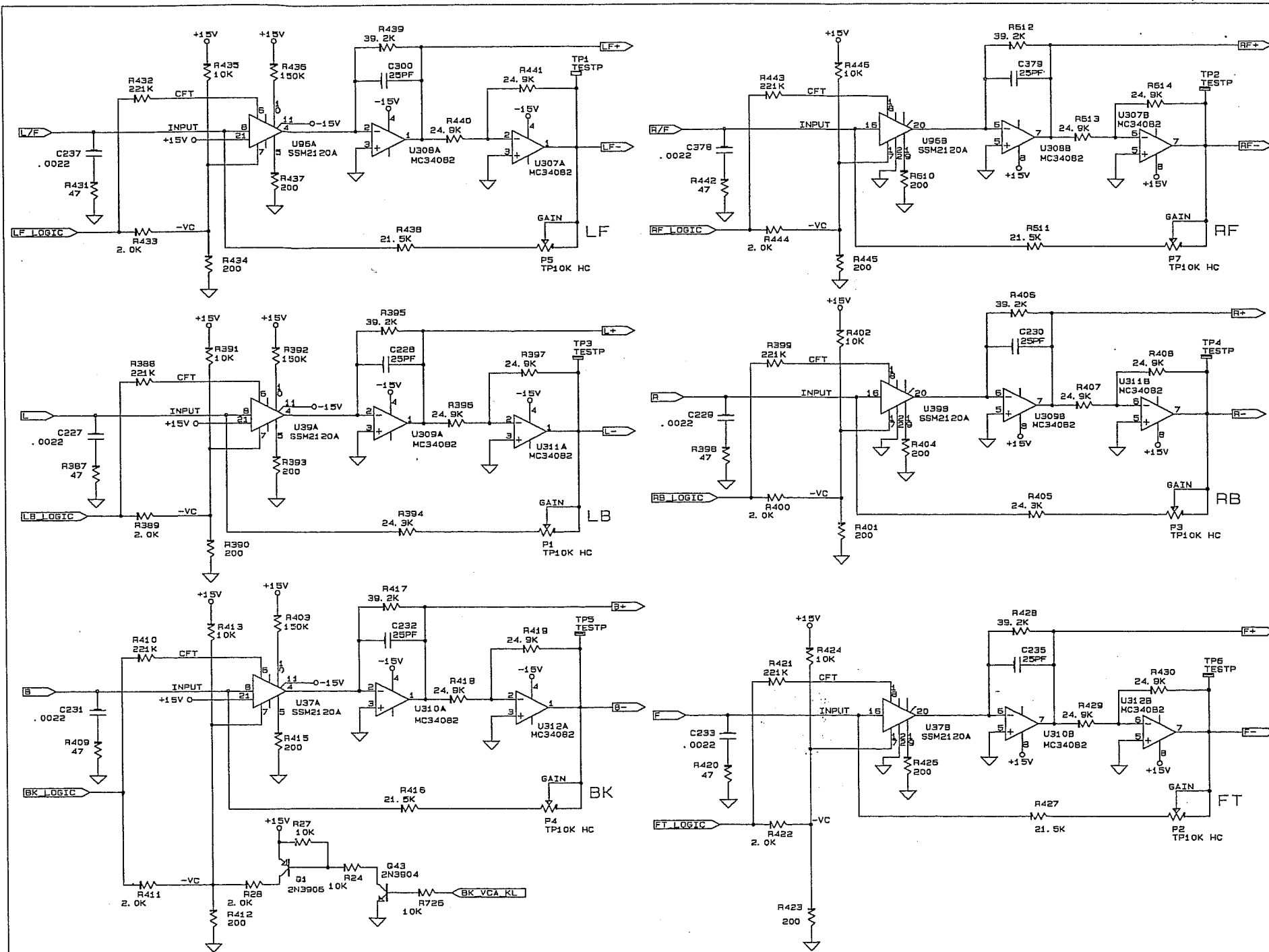
CITATION		
Hayward, California		
Title		
CITATION 7.0 CVG DET/SPLITTER 400-02006-03		
Size Document Number		
C	C7M8D210.SCH	REV
Date: September 5, 1995 Sheet		10 of 11



- J25A HDR7 ← L/R DET
- J25B HDR7 ← RF LOGIC
- J25C HDR7 ← RB LOGIC
- J25D HDR7 ← PNM
- J25E HDR7 ← BK LOGIC
- J25F HDR7 ← F/B DET
- J25G HDR7

COPY

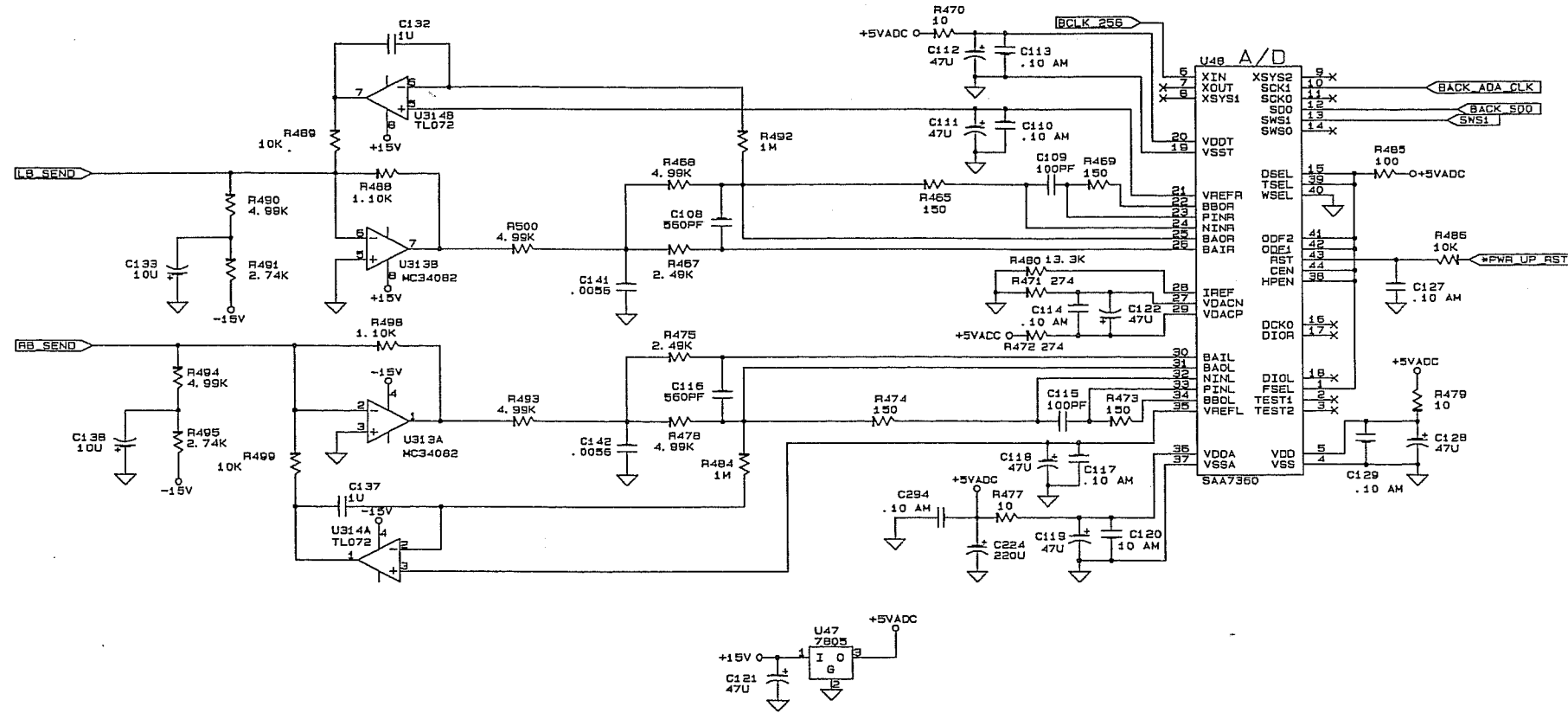
CITATION	
Hayward, California	
Title	CITATION 7.0 CVG SERVO LOGIC 400-02005-03
Size Document Number	REV
C	C7M80211.SCH 02
Date: September 5, 1996	Sheet 11 of 11



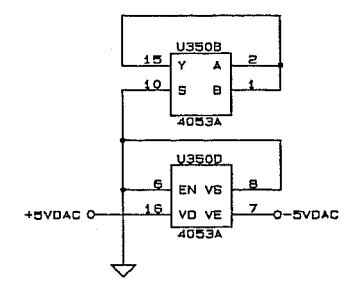
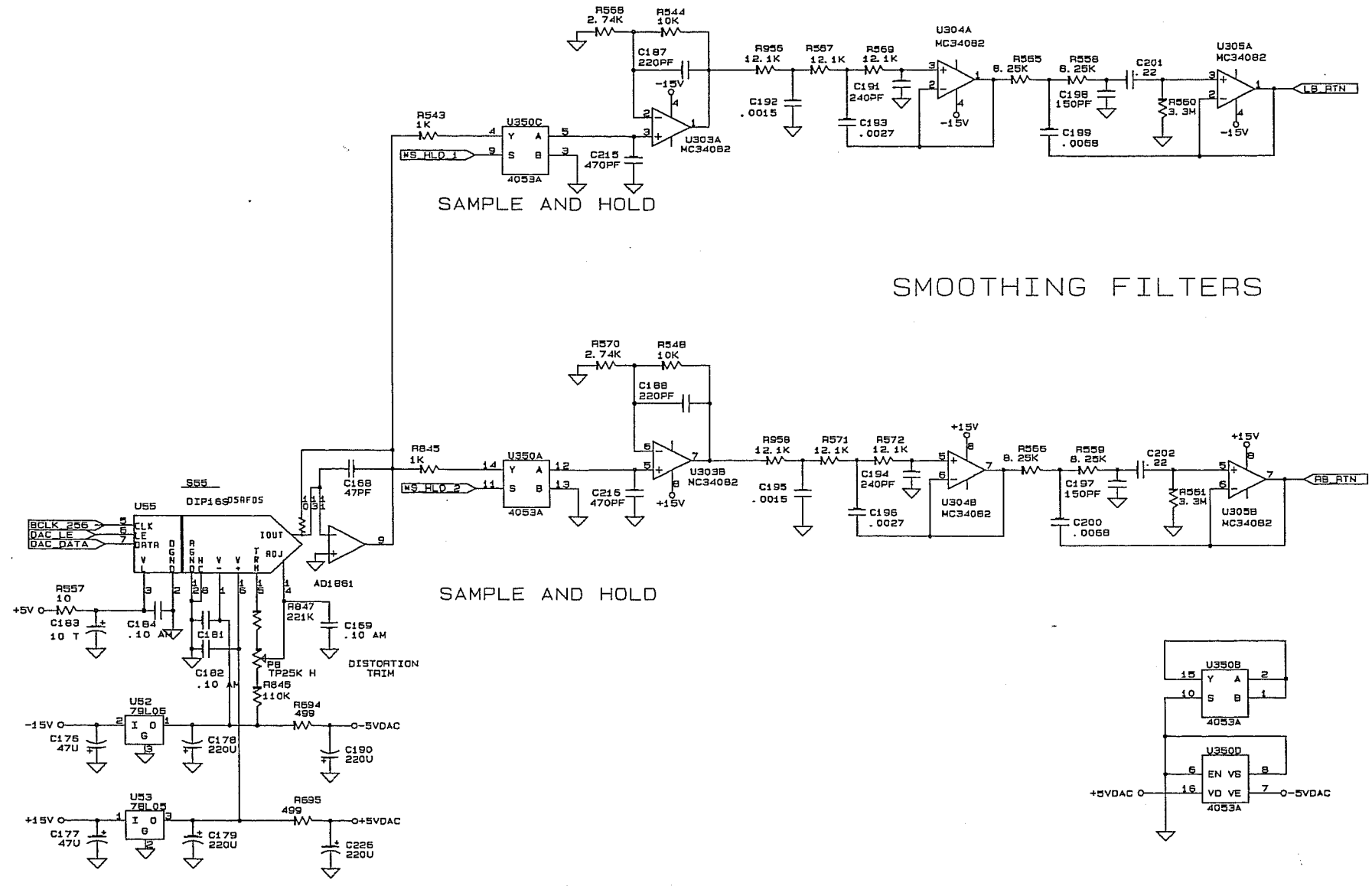
CITATION	
Hayward, California	
Title	VCA CIRCUITS
Size Document Number	REV
C	C7MBC302 SCH C3
Date:	April 26, 1995 Sheet 2 of 11

ALIAS FILTERS

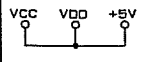
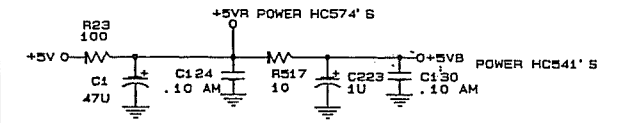
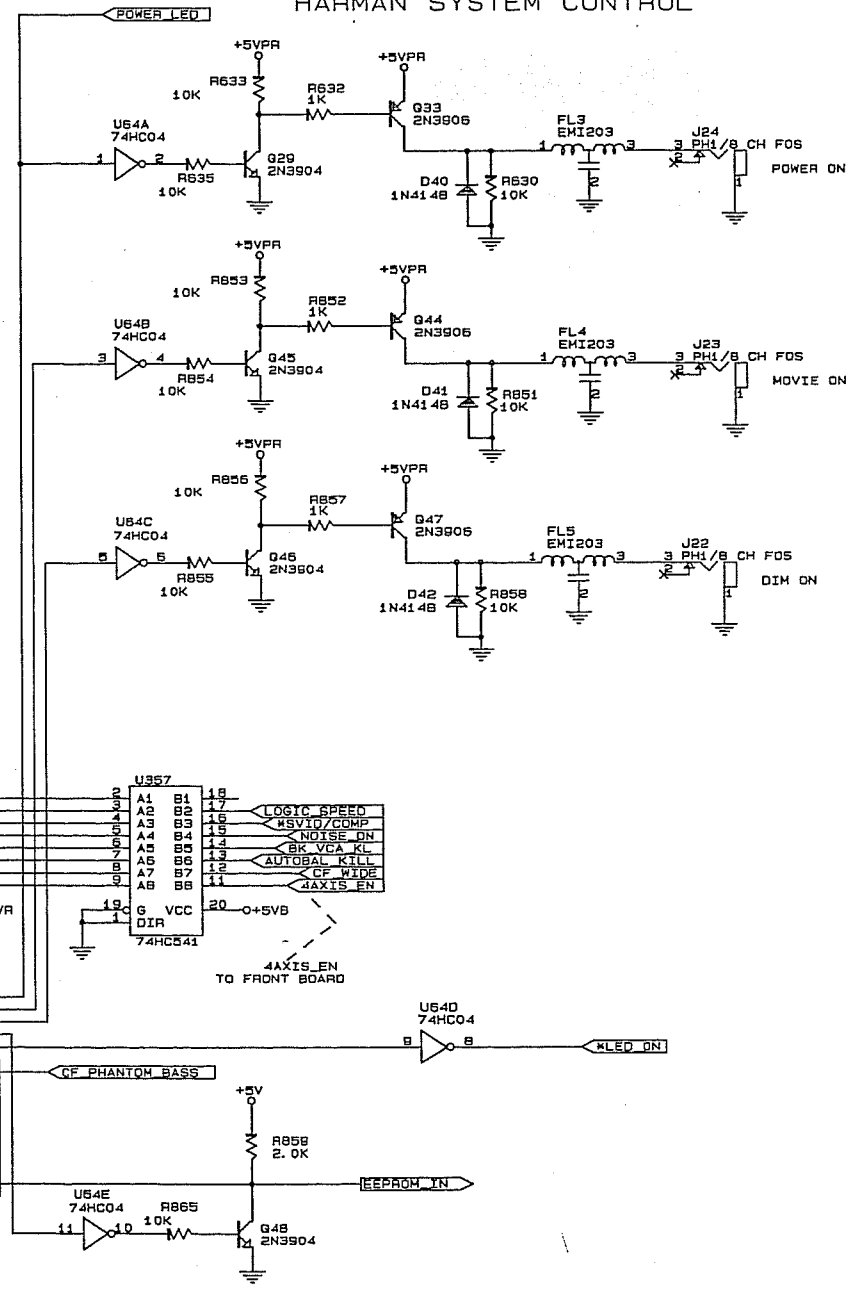
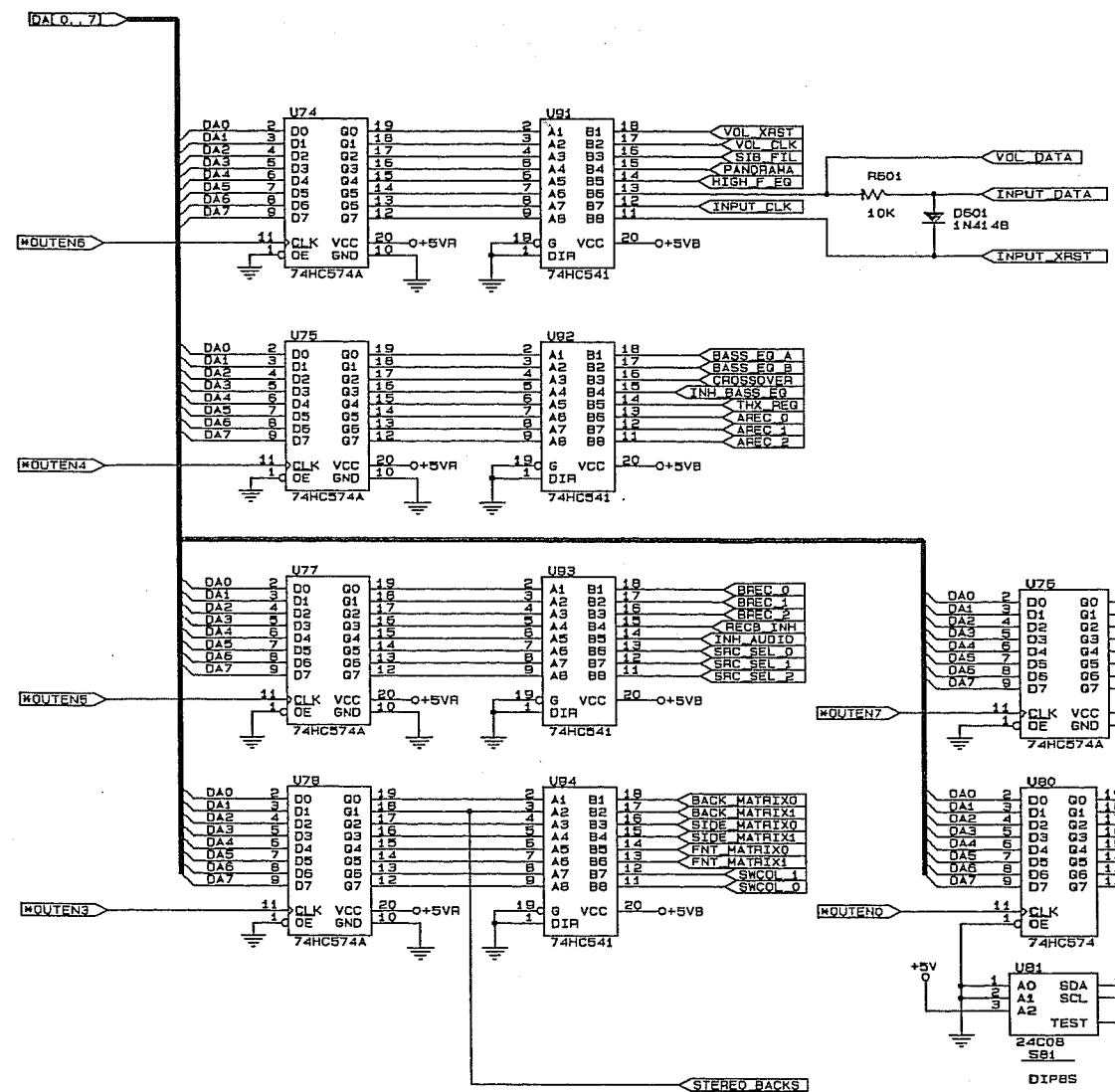
ANALOG TO DIGITAL CONVERTER

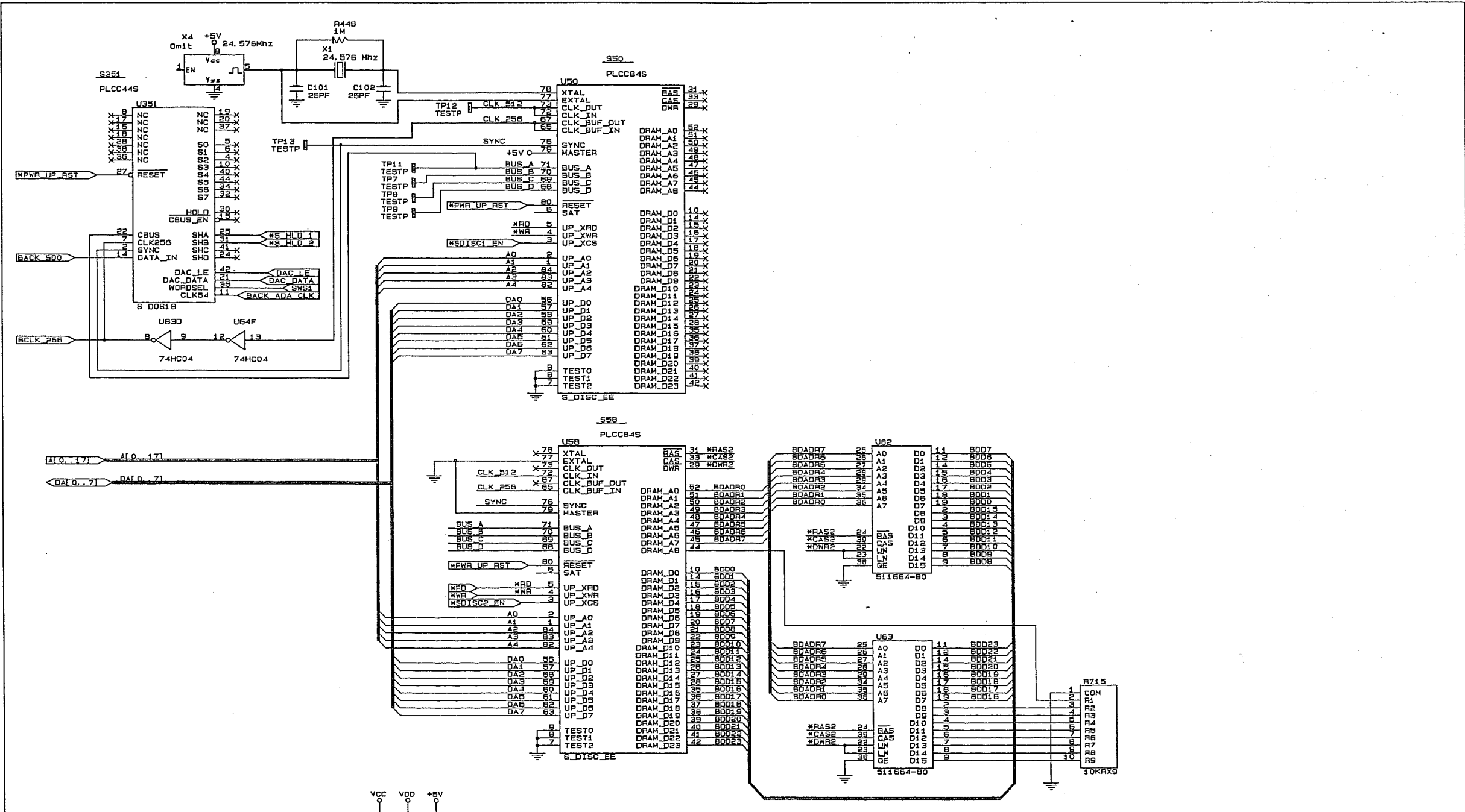


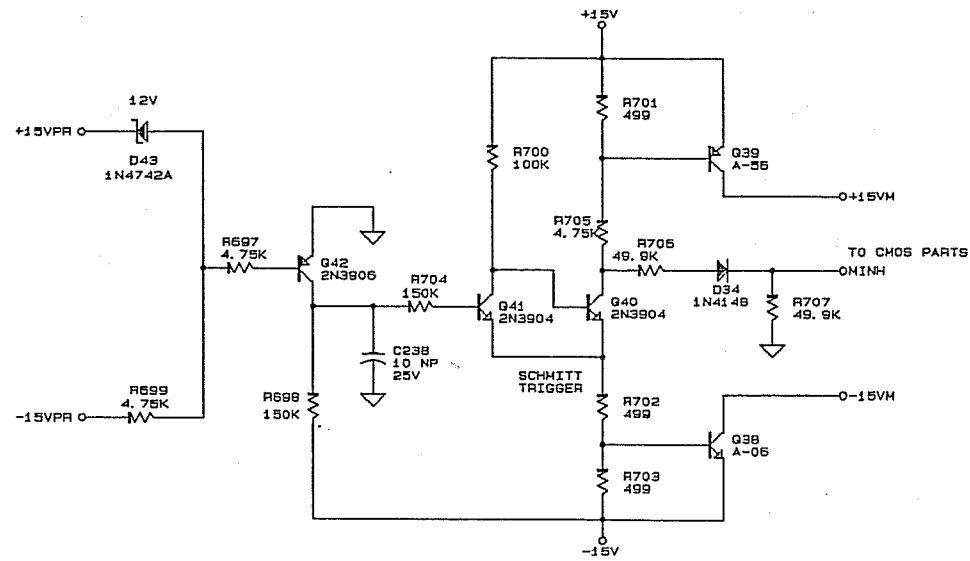
DIGITAL TO ANALOG CONVERTER



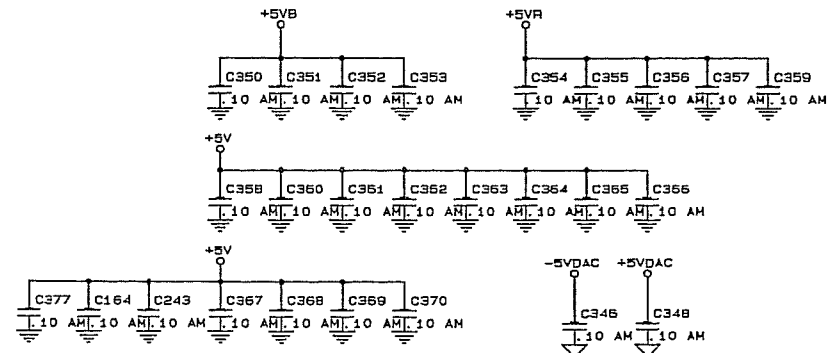
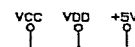
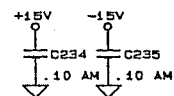
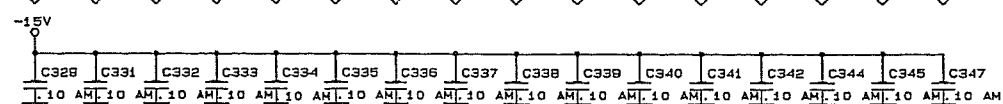
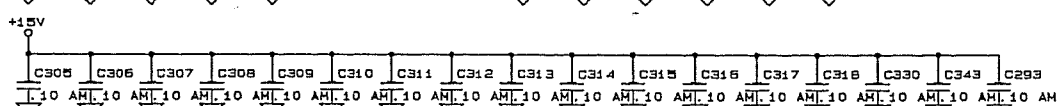
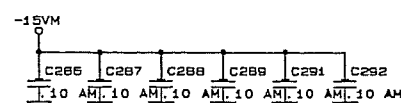
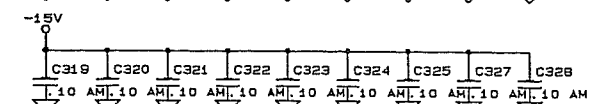
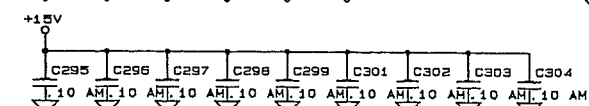
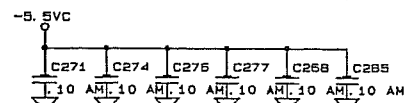
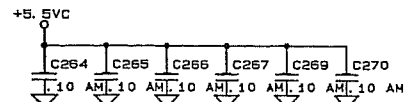
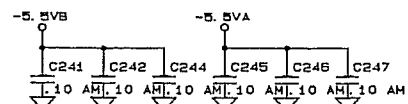
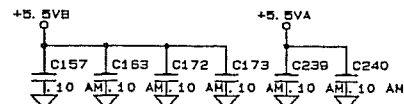
HARMAN SYSTEM CONTROL

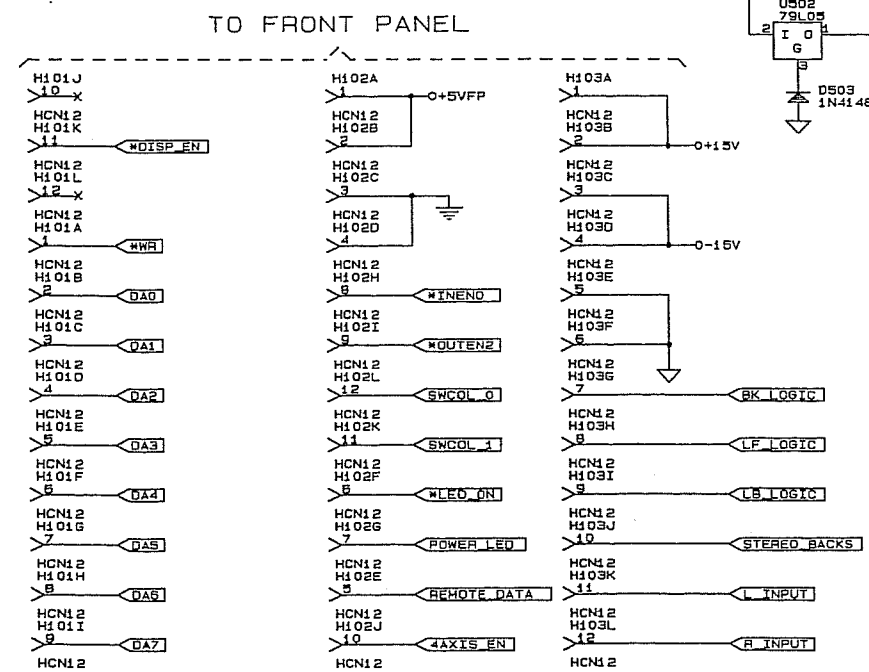
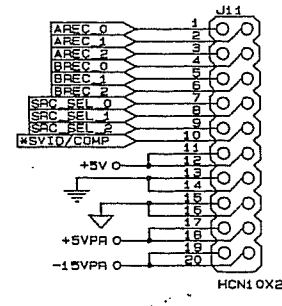
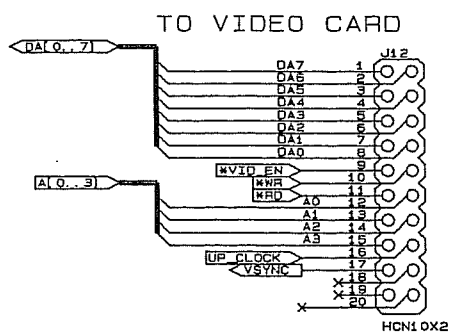
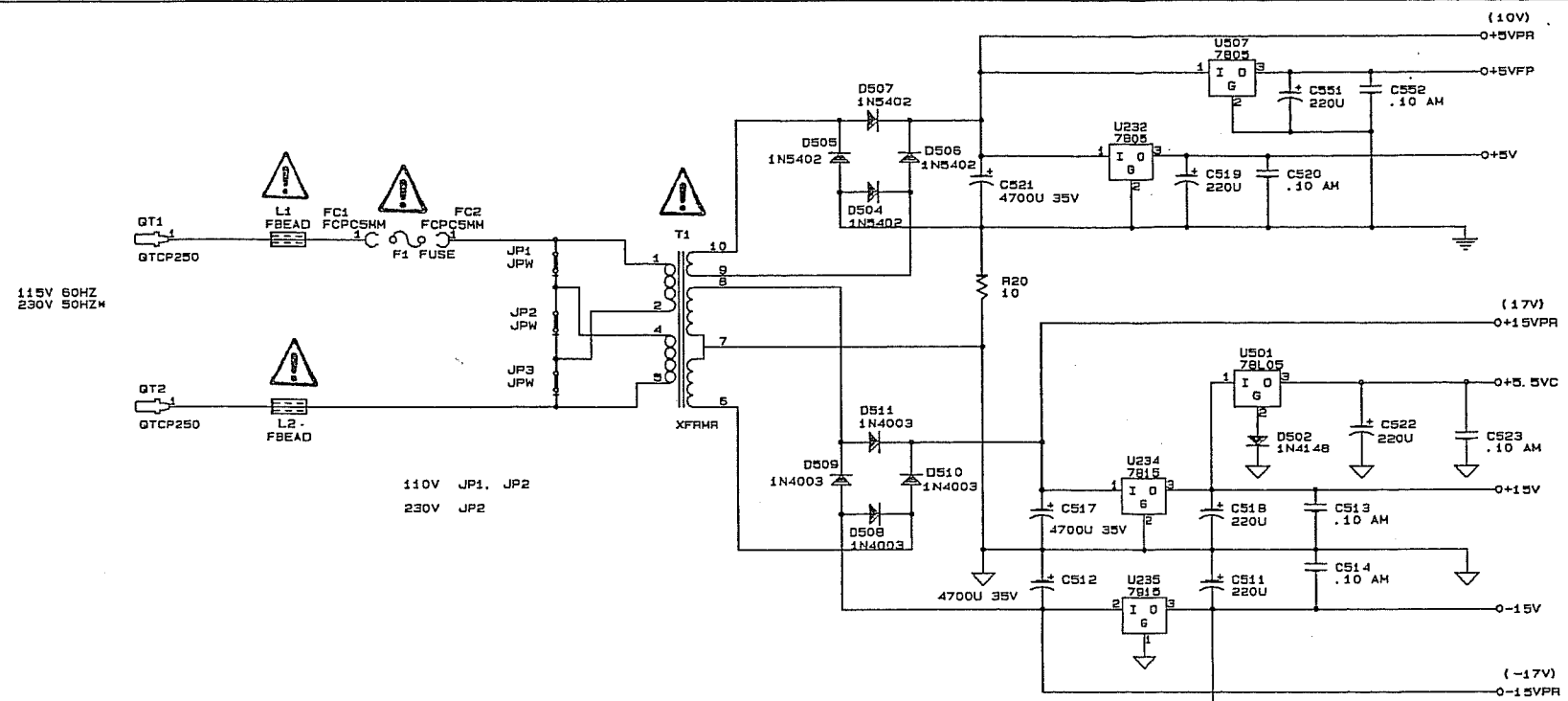




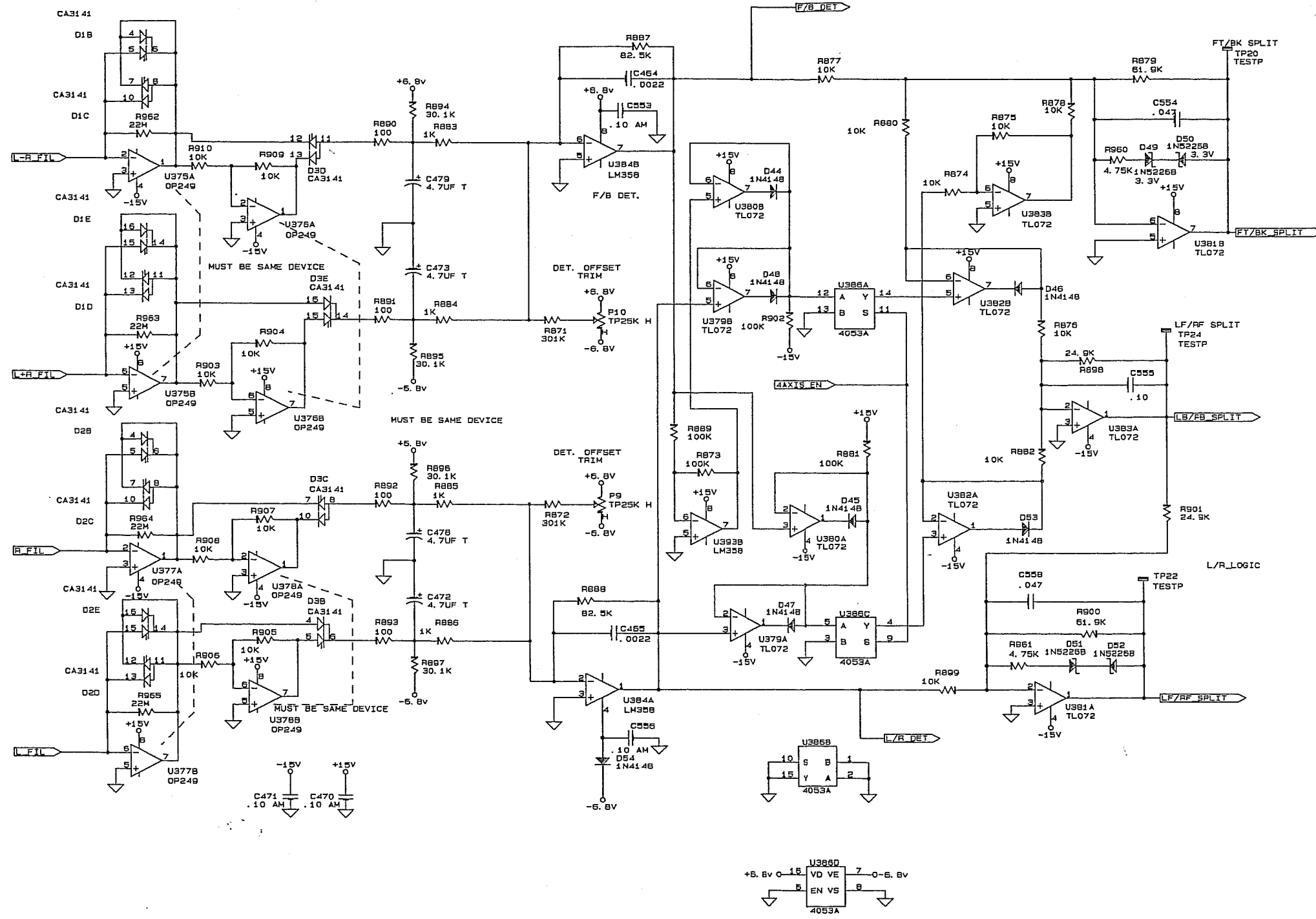


MUTING CIRCUIT





CITATION	
Hayward, California	
Title CITATION 7.0 POWER SUPPLY	
Size	Document Number
C	C7MBC308.SCH
Date:	April 25, 1995 Sheet 9 of 11
REV	C3



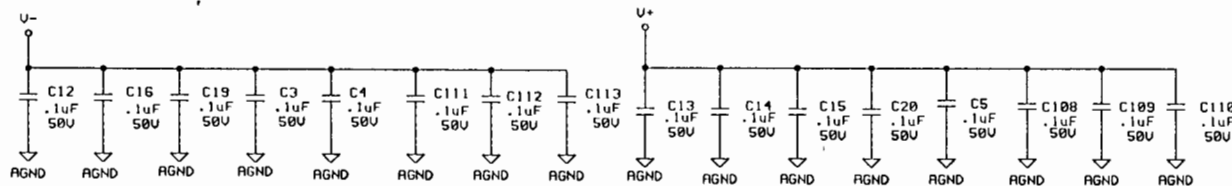
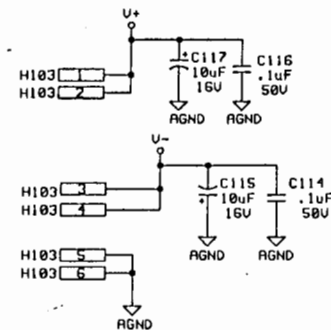
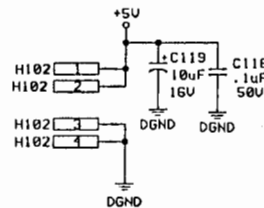
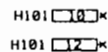
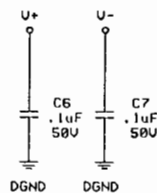
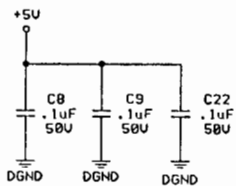
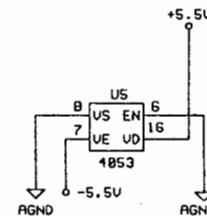
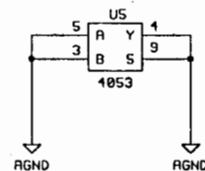
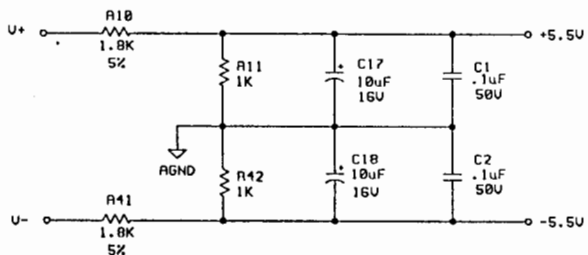
CITATION Hayward, California		
Title CITATION 7.0 CVG DET/SPLITTER		
Size	Document Number	REV
C	C7MBC310.6CH	C3
Date:	April 28, 1995 Sheet 10 of 11	

IC CHART

TYPE	VOLTAGE/PIN NO.							REFERENCE DESIGNATOR
	U-	U+	+5U	AGND	DGND	+5.5U	-5.5U	
1053				8		16	7	U5
LM358	4	8						U6, U7, U8, U11, U12
74HC244			20		10			U2
74HC574			20		10			U3
LF353	4	8						U13, U14, U15
LM339	12	3						U9, U10

NOTES:

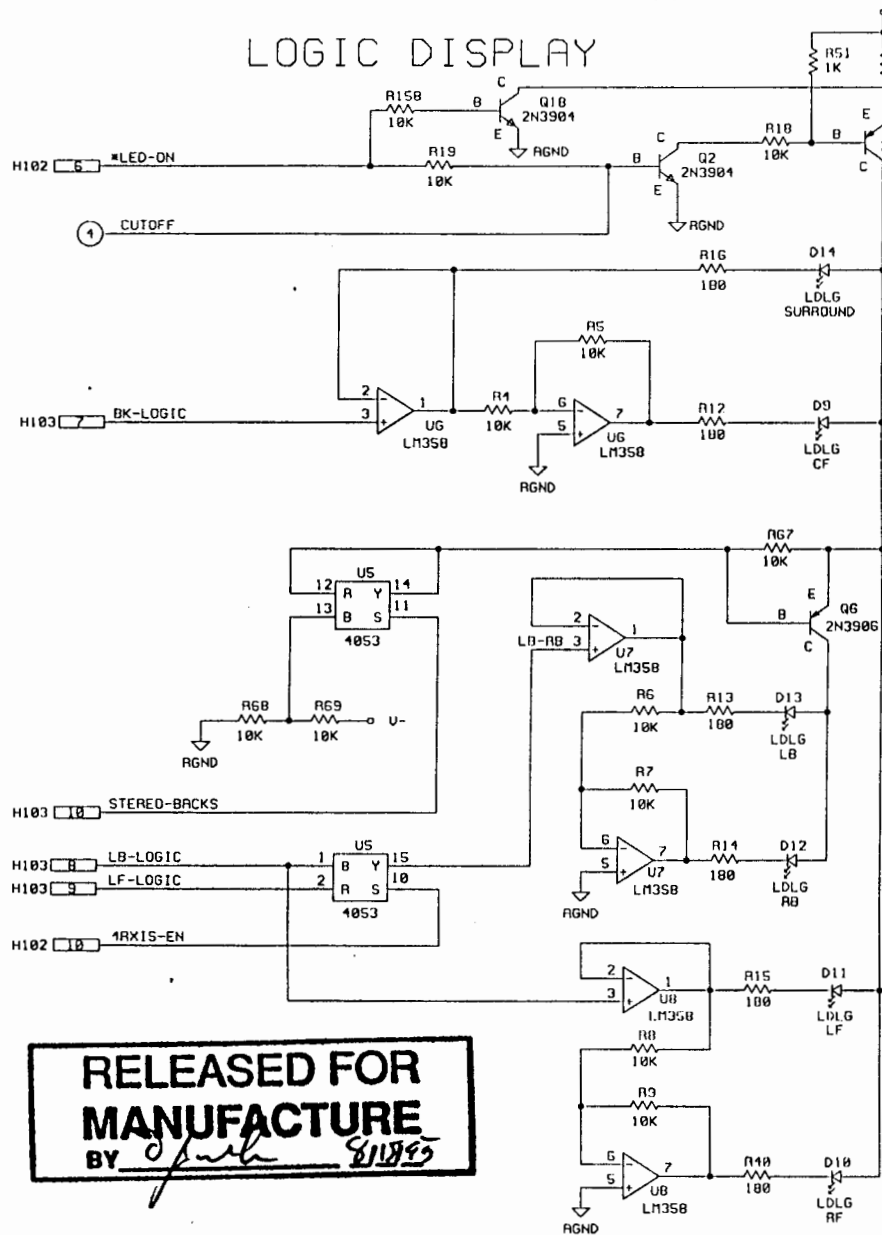
- FOR CAPACITOR TYPE SEE PARTS LIST.
- ALL RESISTORS ARE 1/8W, 5% CARBON FILM, UNLESS OTHERWISE SPECIFIED.



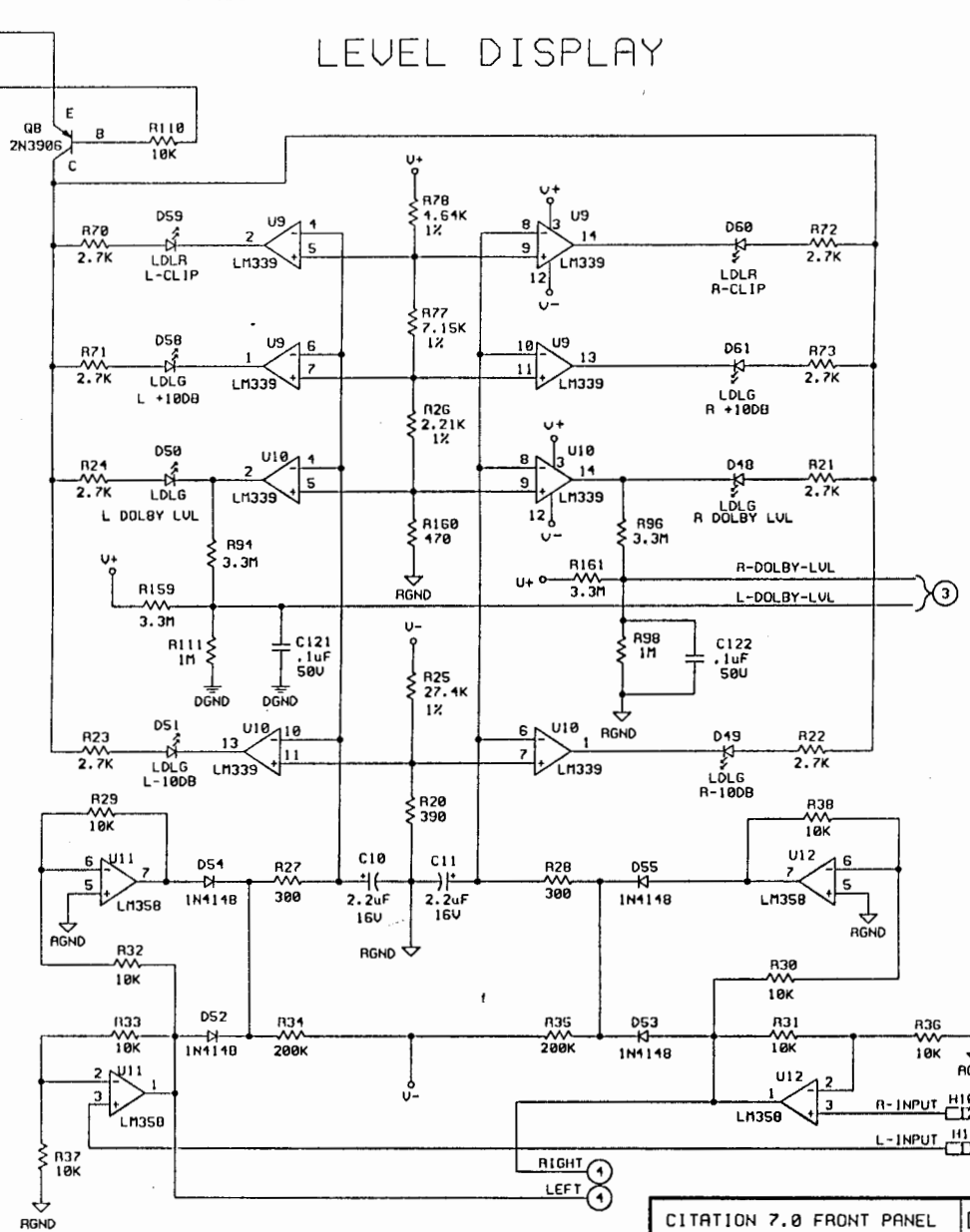
SIGNATURE		DATE	AUDIOACCESS 26046 EDEN LANDING ROAD HAYWARD, CA. 94545
DRAWN	MILLE	11-2-94	
DAFTG CHK			CITATION 7.0 FRONT PANEL
DESIGN CHK			
C70FPA0.SCH			DWG. NO.
			REV. D0
			SHEET 1 OF 4

RELEASED FOR
MANUFACTURE

LOGIC DISPLAY

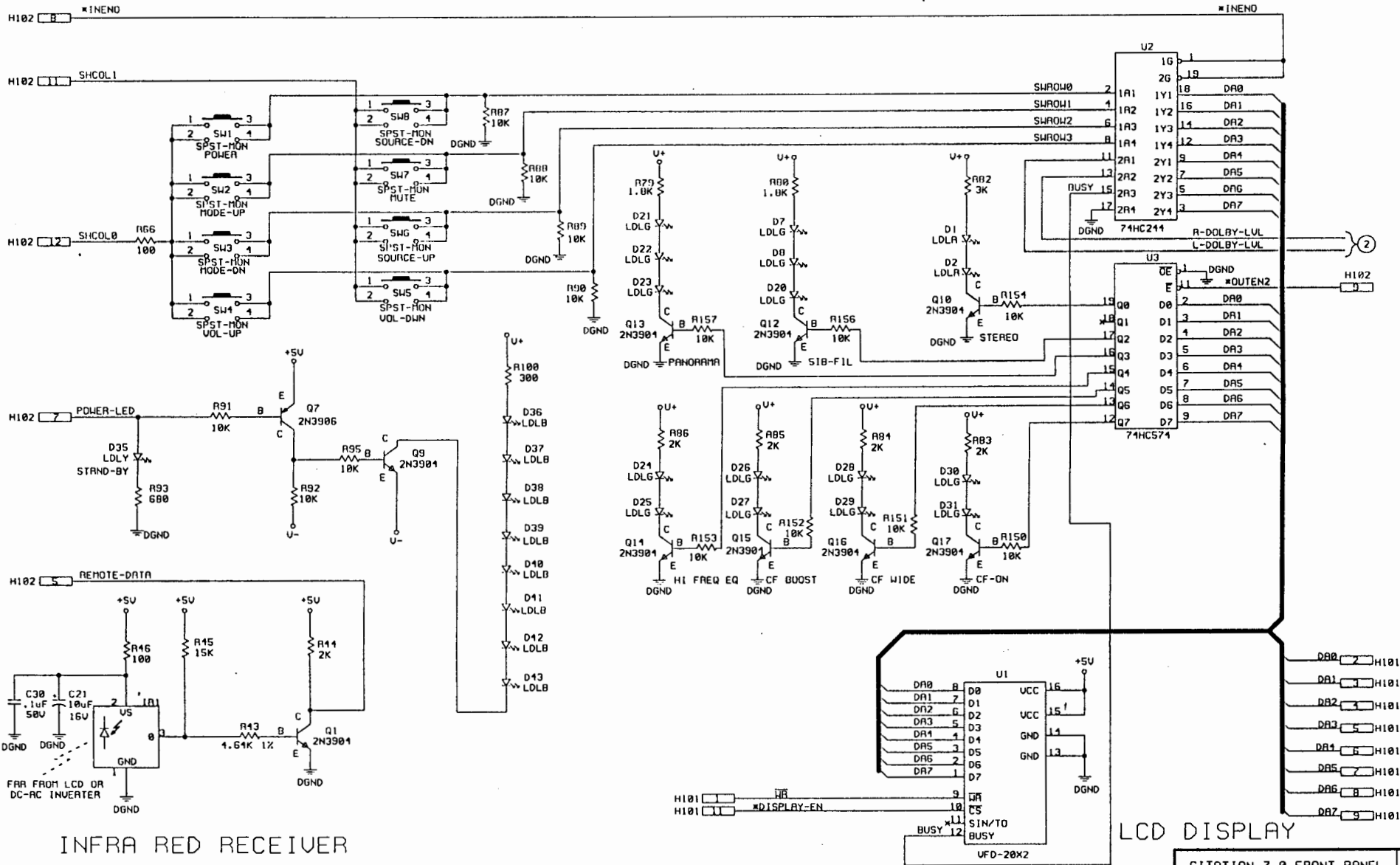


LEVEL DISPLAY



RELEASED FOR MANUFACTURE
 BY *[Signature]* 8/18/92

CITATION 7.0 FRONT PANEL 5-31-55 4:30 PM



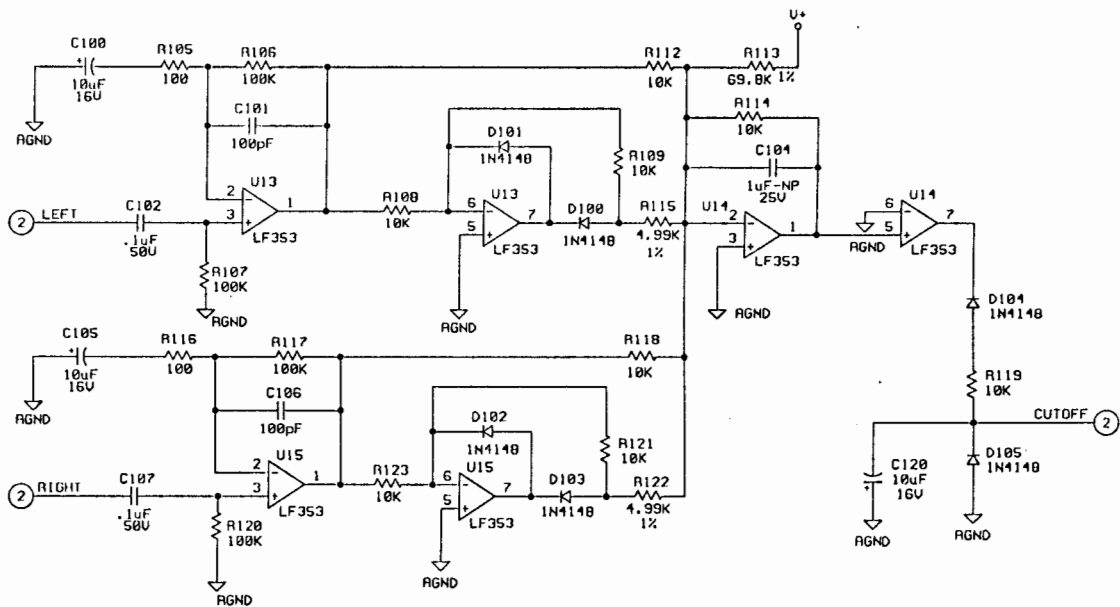
INFRARED RECEIVER

LCD DISPLAY

CITATION 7.0 FRONT PANEL
 SHEET 3 OF 4

RELEASED FOR

CITATION 7.0 FRONT PANEL 5-31-95 4:38 PT



**RELEASED FOR
MANUFACTURE**
BY *Devil* 8/18/75